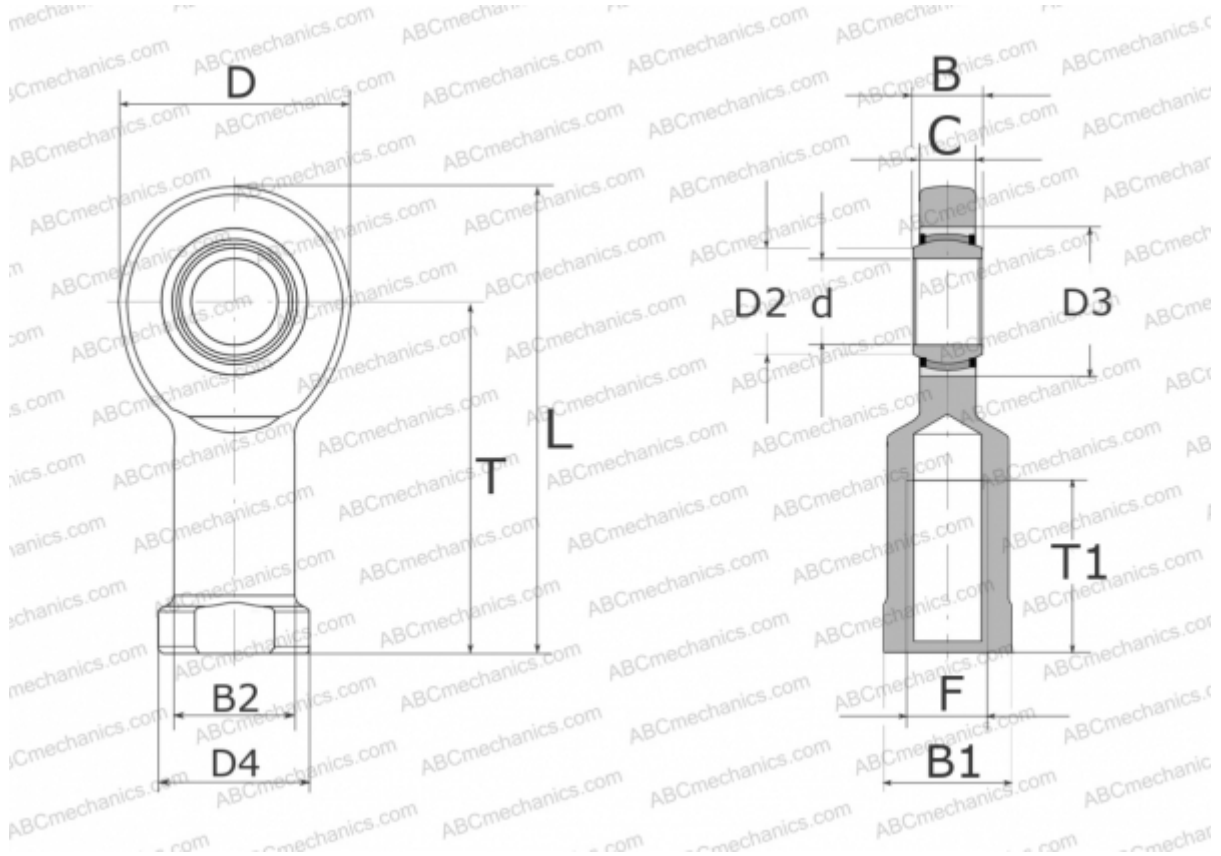


## GIR80-UK-2RS ELGES

TYPE: Plain bearings, Spherical plain bearings and rod ends, Rod ends, Maintenance free, With internal thread, with lip seals or high performance seals, right hand thread, series GIR..-UK-2RS (INA)



### Technical specification

#### DIMENSIONS, MM

d	80,000
D	180,000
D2	89,400
D3	120,000
D4	110,000
B	55,000
B1	100,000
B2	95,000
L	320,000
T	230,000
T1	85,000
C	47,000
F	M64X4

#### MANUFACTURER

[ELGES](#)

#### WEIGHT, KG

13,200