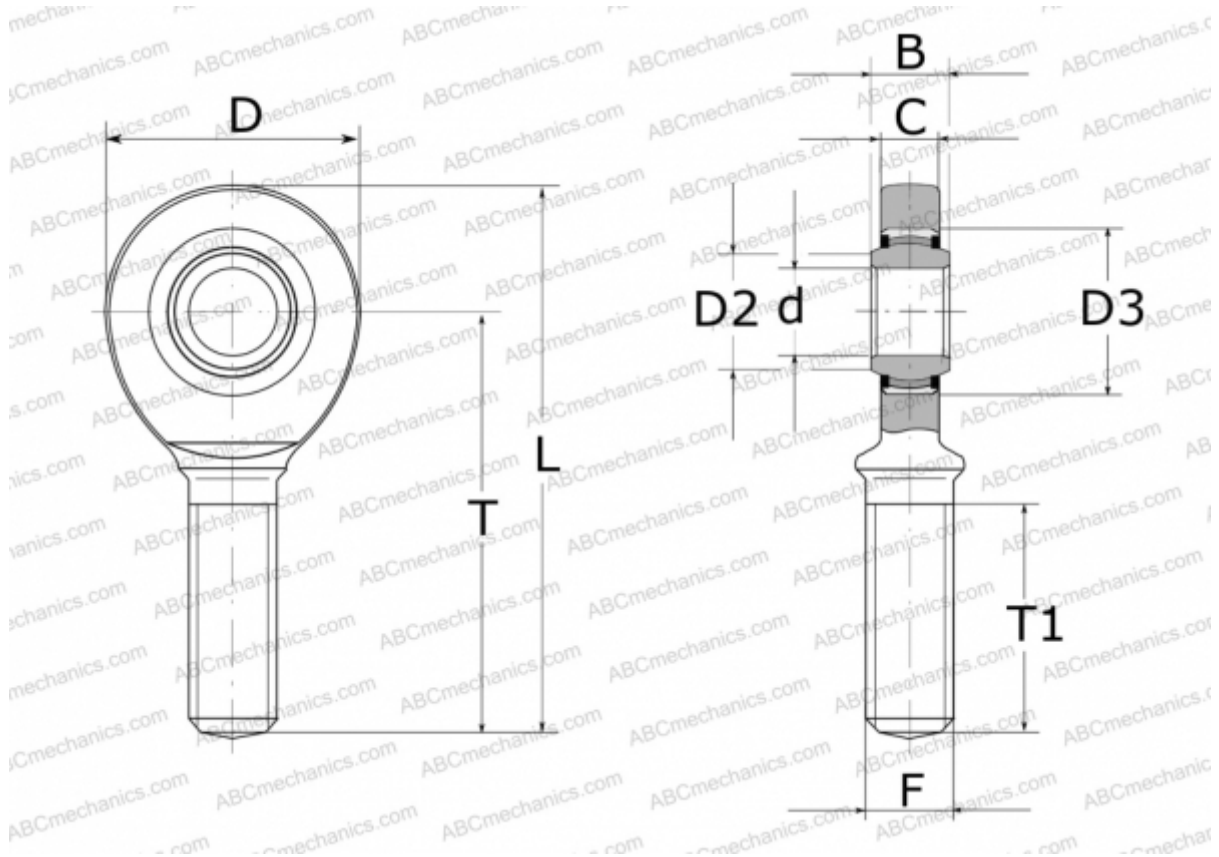


## GAR20-UK-2RS ELGES

TYPE: Plain bearings, Spherical plain bearings and rod ends, Rod ends, Maintenance free, With external thread, with lip seals or high performance seals, right hand thread, series GAR..-UK-2RS (INA)



### Technical specification

#### DIMENSIONS, MM

|    |         |
|----|---------|
| d  | 20,000  |
| D  | 53,000  |
| D2 | 24,200  |
| D3 | 35,000  |
| B  | 16,000  |
| L  | 104,500 |
| T  | 78,000  |
| T1 | 43,000  |
| C  | 13,000  |
| F  | M20X1.5 |

**WEIGHT, KG** 0,330

**MANUFACTURER** [ELGES](#)