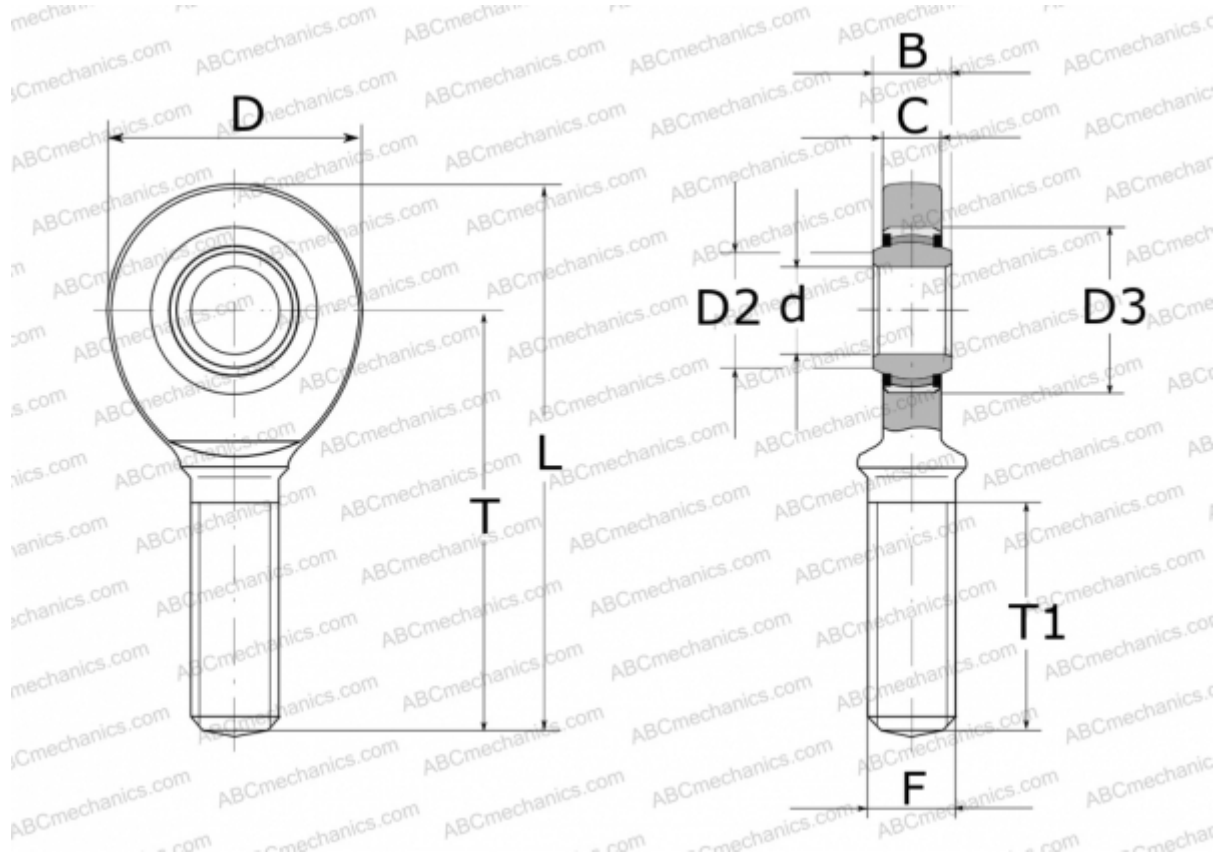


GAL40-UK-2RS ELGES

TYPE: Plain bearings, Spherical plain bearings and rod ends, Rod ends, Maintenance free, With external thread, with lip seals or high performance seals, left hand thread, series GAL.-UK-2RS (INA)



Technical specification

DIMENSIONS, MM

| | |
|----|---------|
| d | 40,000 |
| D | 92,000 |
| D2 | 45,000 |
| D3 | 62,000 |
| B | 28,000 |
| L | 196,000 |
| T | 150,000 |
| T1 | 86,000 |
| C | 23,000 |
| F | M39X3 |

WEIGHT, KG 1,970

MANUFACTURER [ELGES](#)