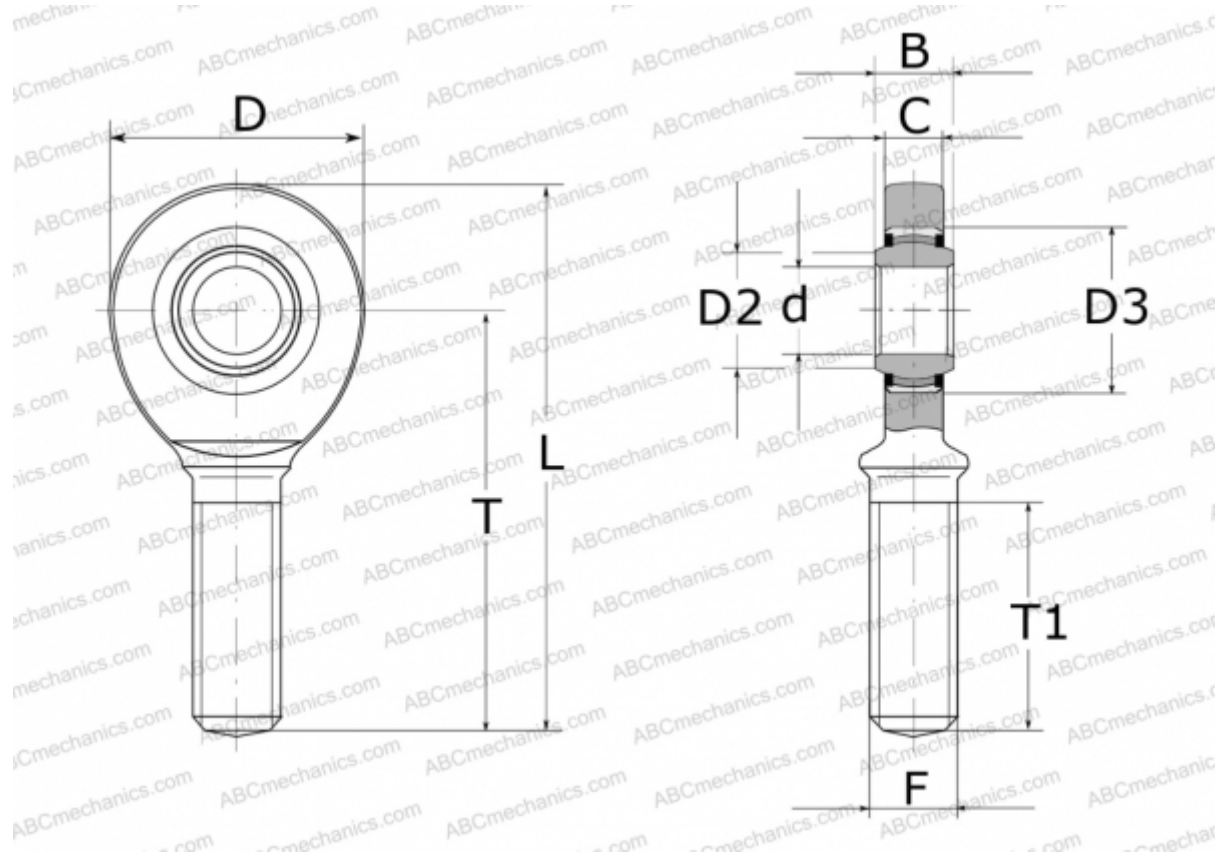


GAL80-UK-2RS ELGES

TYPE: Plain bearings, Spherical plain bearings and rod ends, Rod ends, Maintenance free, With external thread, with lip seals or high performance seals, left hand thread, series GAL..-UK-2RS (INA)



Technical specification

DIMENSIONS, MM

d	80,000
D	180,000
D2	89,400
D3	120,000
B	55,000
L	360,000
T	270,000
T1	140,000
C	47,000
F	M64X4

WEIGHT, KG 12,500

MANUFACTURER [ELGES](#)