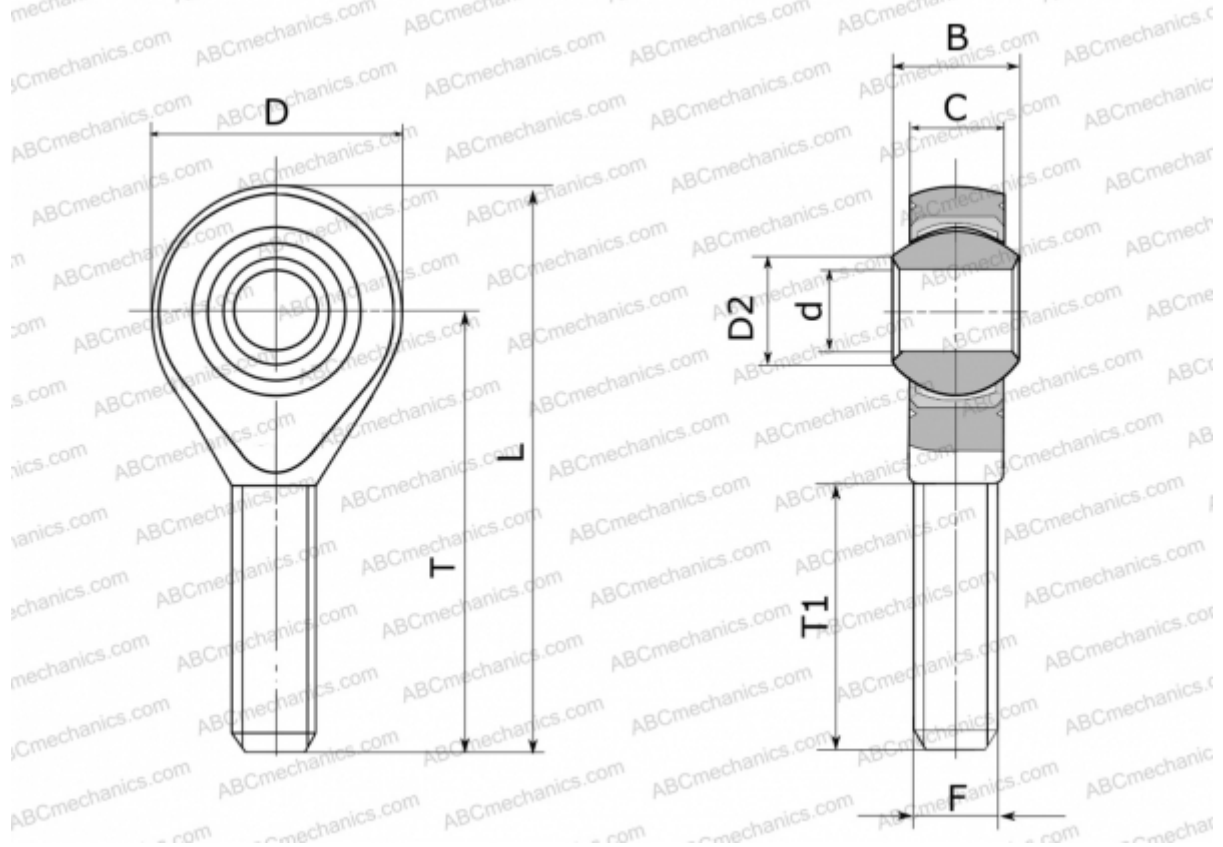


## GAKSR20-PS ELGES

TYPE: Plain bearings, Spherical plain bearings and rod ends, Rod ends, Maintenance free, With external thread, open design, right hand thread, corrosion-resistant, series GAKSR..-PS (INA)



### Technical specification

#### DIMENSIONS, MM

d	20,000
D	51,000
D2	24,400
B	25,000
L	104,000
T	78,000
T1	45,000
C	18,000
F	M20X1.5

**WEIGHT, KG** 0,340

**MANUFACTURER** [ELGES](#)