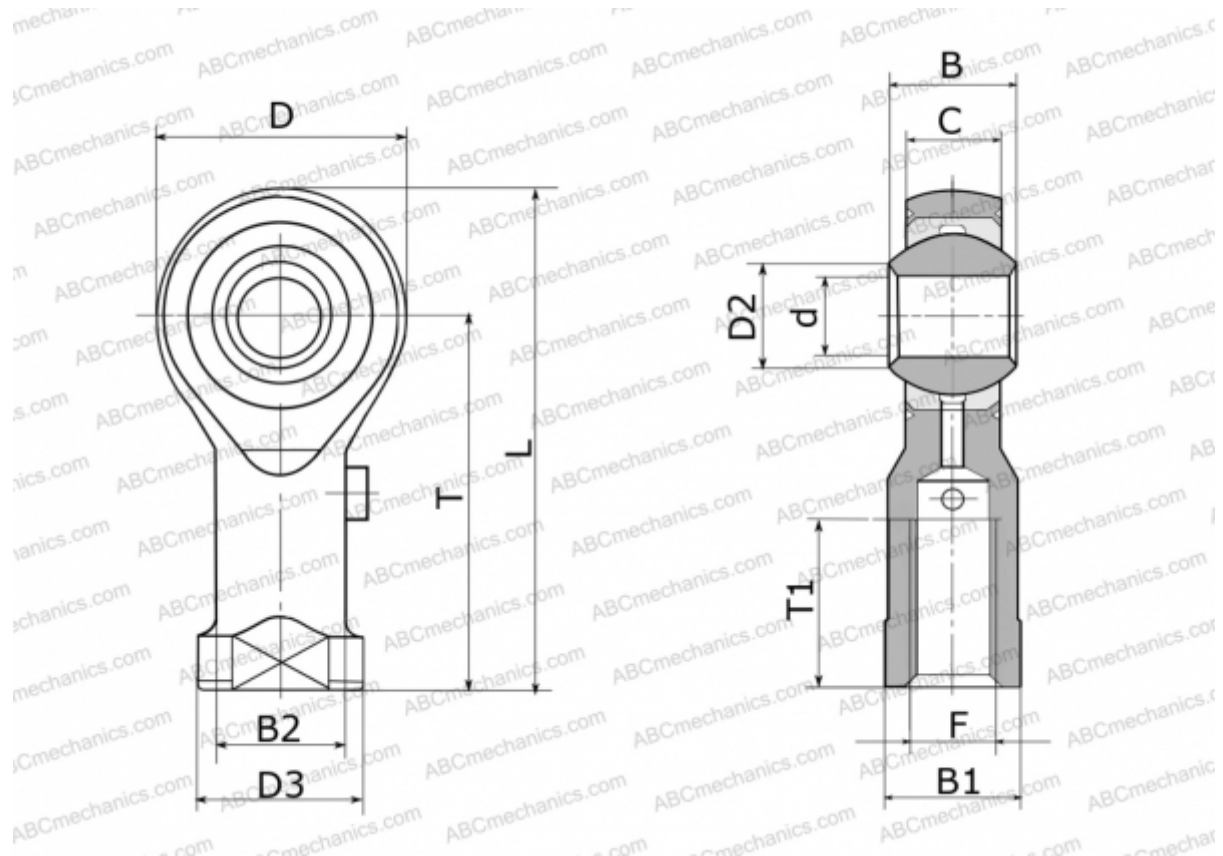


GIKSR20-PS ELGES

TYPE: Plain bearings, Spherical plain bearings and rod ends, Rod ends, Maintenance free, With internal thread, corrosion-resistant, open design, right hand thread, series GIKSR.-PS, GIKPSR.-PS (INA)



Technical specification

DIMENSIONS, MM

d	20,000
D	51,000
D2	24,400
D3	34,000
B	25,000
B1	30,000
B2	27,500
L	102,500
T	77,000
T1	30,000
C	18,000
F	M20X1.5

MANUFACTURER

[ELGES](#)

WEIGHT, KG

0,380