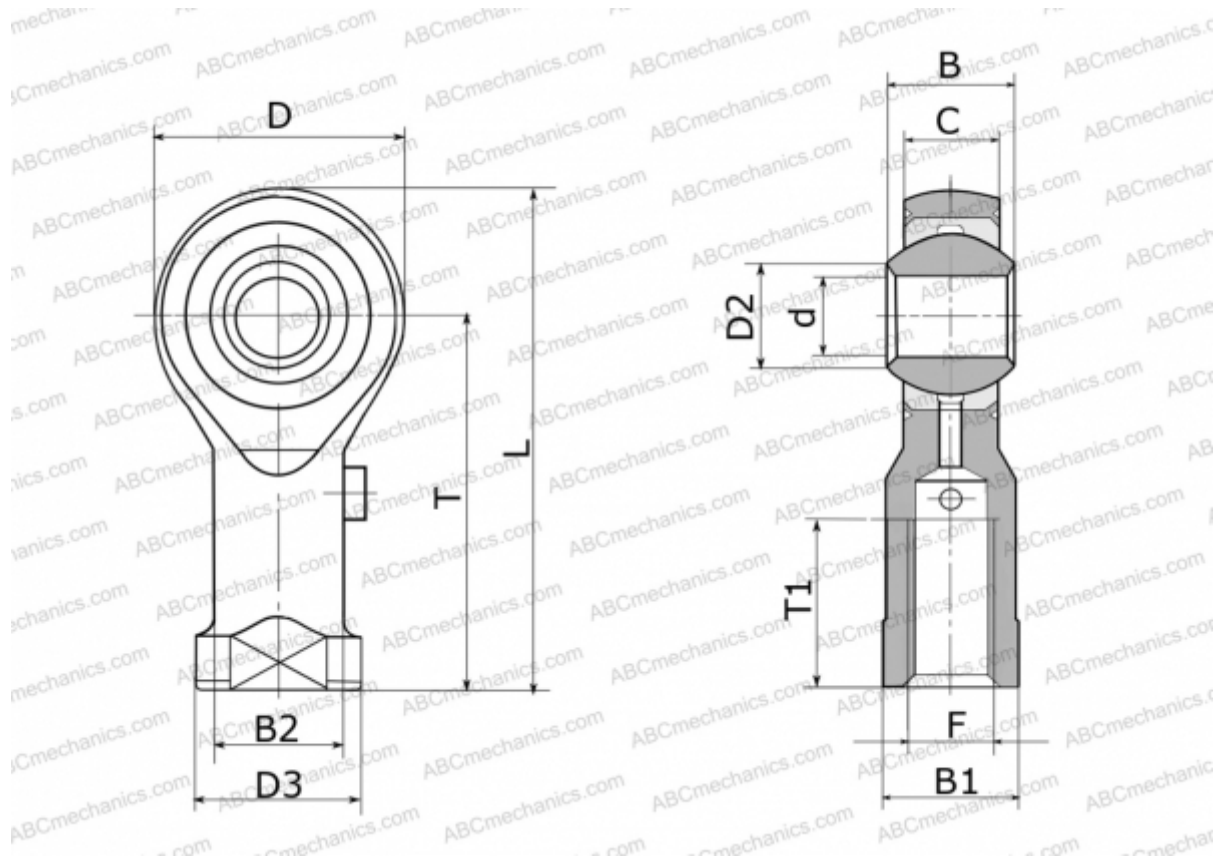


GIKSR22-PS ELGES

TYPE: Plain bearings, Spherical plain bearings and rod ends, Rod ends, Maintenance free, With internal thread, corrosion-resistant, open design, right hand thread, series GIKSR.-PS, GIKPSR.-PS (INA)



Technical specification

DIMENSIONS, MM

d	22,000
D	55,000
D2	25,800
D3	37,000
B	28,000
B1	32,000
B2	30,000
L	111,500
T	84,000
T1	33,000
C	20,000
F	M22X1.5

WEIGHT, KG 0,490

MANUFACTURER

[ELGES](#)