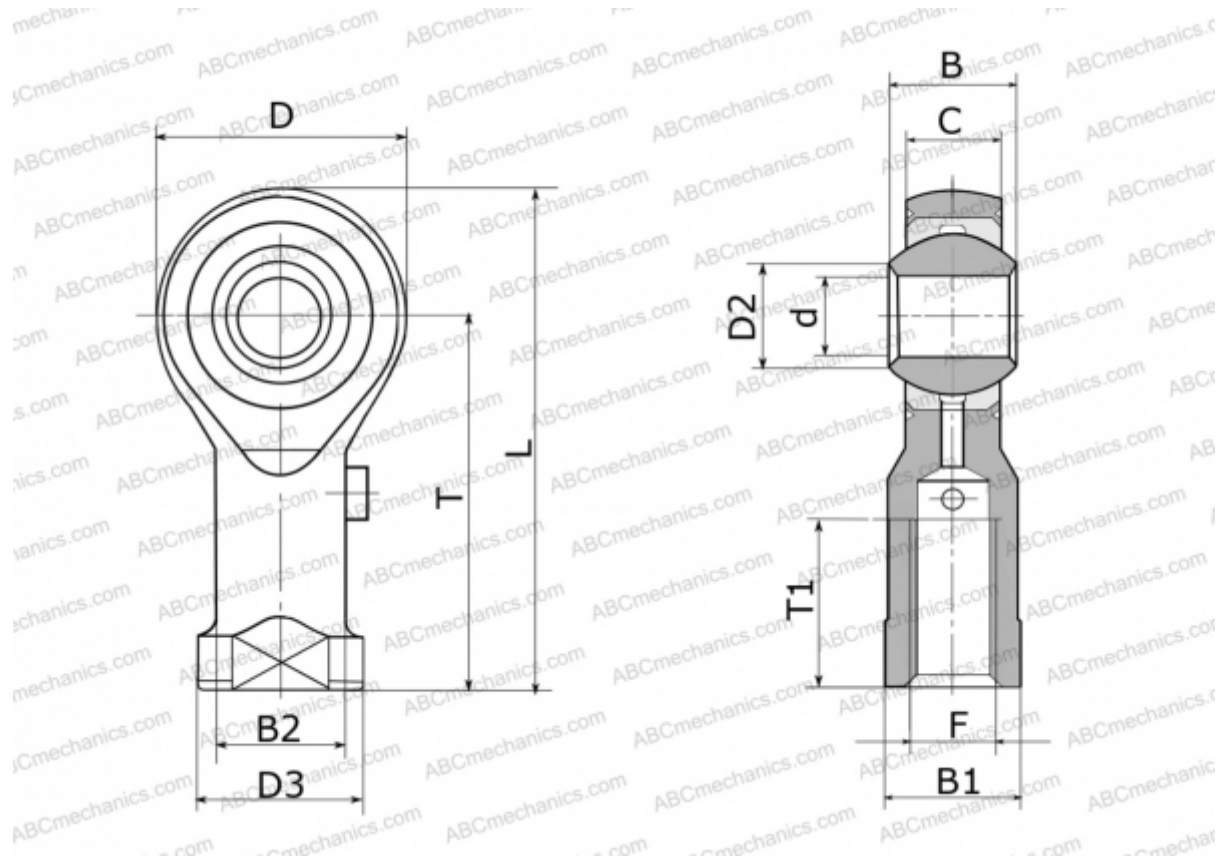


GIKPSR30-PS ELGES

TYPE: Plain bearings, Spherical plain bearings and rod ends, Rod ends, Maintenance free, With internal thread, corrosion-resistant, open design, right hand thread, series GIKSR.-PS, GIKPSR.-PS (INA)



Technical specification

DIMENSIONS, MM

d	30,000
D	71,000
D2	34,800
D3	50,000
B	37,000
B1	41,000
B2	40,000
L	145,500
T	110,000
T1	45,000
C	25,000
F	M27X2

MANUFACTURER

[ELGES](#)

WEIGHT, KG

1,150