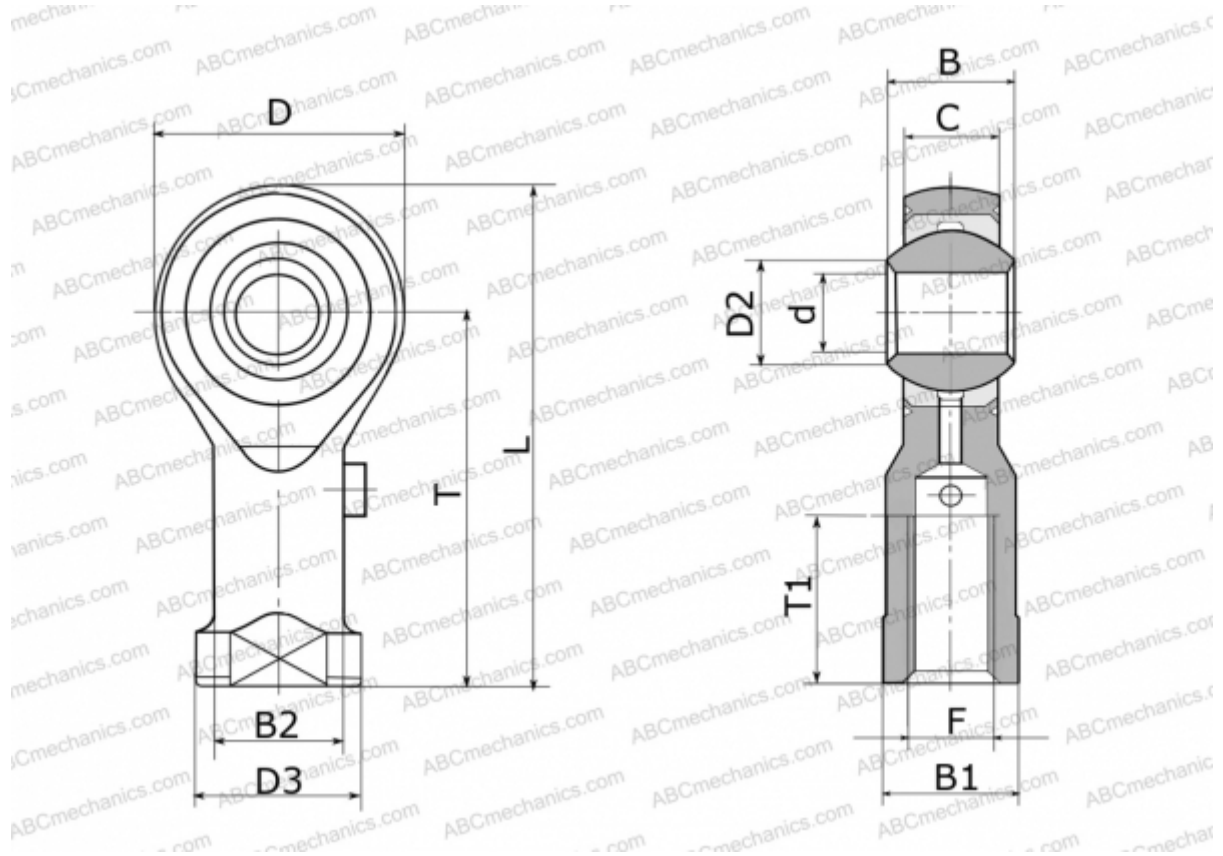


## GIKSL14-PS ELGES

TYPE: Plain bearings, Spherical plain bearings and rod ends, Rod ends, Maintenance free, With internal thread, corrosion-resistant, open design, left hand thread, series GIKSL...-PS, GIKPSL...-PS (INA)



### Technical specification

#### DIMENSIONS, MM

d	14,000
D	37,000
D2	16,800
D3	25,000
B	19,000
B1	22,000
B2	20,000
L	75,500
T	57,000
T1	21,000
C	13,500
F	M14

#### MANUFACTURER

[ELGES](#)

#### WEIGHT, KG

0,160