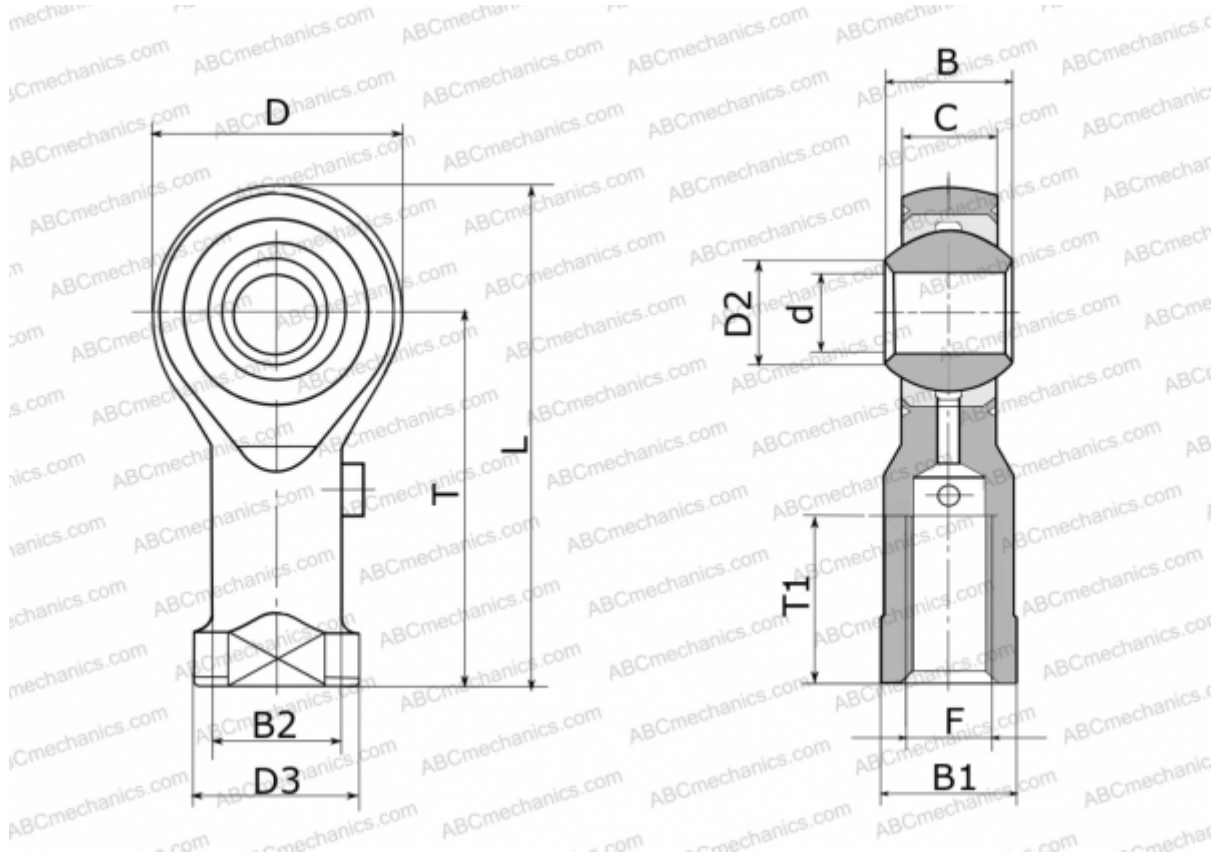


## GIKSL25-PS ELGES

TYPE: Plain bearings, Spherical plain bearings and rod ends, Rod ends, Maintenance free, With internal thread, corrosion-resistant, open design, left hand thread, series GIKSL...-PS, GIKPSL...-PS (INA)



### Technical specification

#### DIMENSIONS, MM

d	25,000
D	61,000
D2	29,600
D3	42,000
B	31,000
B1	36,000
B2	33,500
L	124,500
T	94,000
T1	36,000
C	22,000
F	M24X2

#### MANUFACTURER

[ELGES](#)

#### WEIGHT, KG

0,650