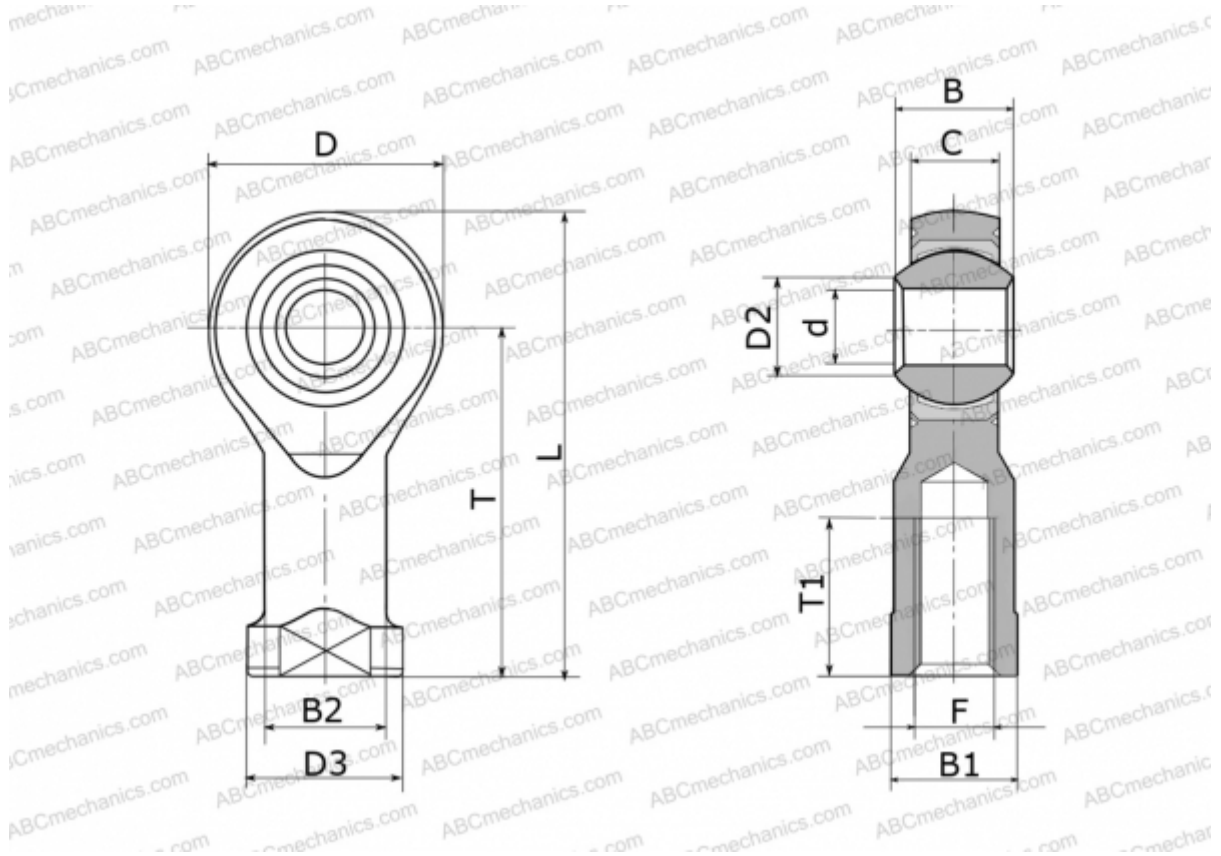


## GISW 8 FLURO

TYPE: Plain bearings, Spherical plain bearings and rod ends, Rod ends, Maintenance free, With internal thread, open design, right hand thread, series GISW (FLURO)



### Technical specification

#### DIMENSIONS, MM

|    |        |
|----|--------|
| d  | 8,000  |
| D  | 24,000 |
| D2 | 10,400 |
| D3 | 16,000 |
| B  | 12,000 |
| B1 | 13,000 |
| B2 | 12,500 |
| L  | 48,000 |
| T  | 36,000 |
| T1 | 16,000 |
| C  | 9,000  |
| F  | M 8    |

#### MANUFACTURER

[FLURO](#)

#### WEIGHT, KG

0,046