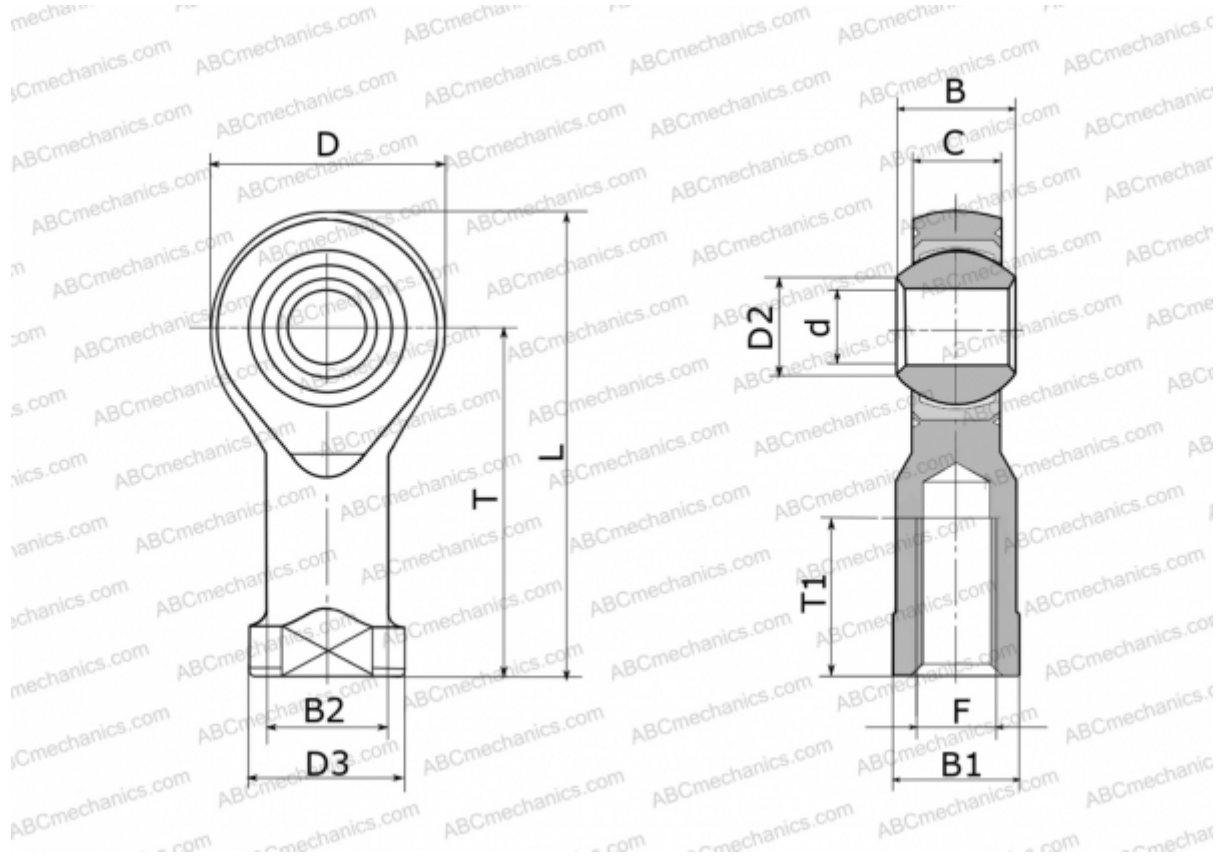


GILSW 20 FLURO

TYPE: Plain bearings, Spherical plain bearings and rod ends, Rod ends, Maintenance free, With internal thread, open design, left hand thread, series GILSW (FLURO)



Technical specification

DIMENSIONS, MM

| | |
|----|----------|
| d | 20,000 |
| D | 50,000 |
| D2 | 24,300 |
| D3 | 34,000 |
| B | 25,000 |
| B1 | 32,000 |
| B2 | 27,500 |
| L | 102,000 |
| T | 77,000 |
| T1 | 33,000 |
| C | 18,000 |
| F | M 20x1.5 |

MANUFACTURER

[FLURO](#)

WEIGHT, KG

0,415