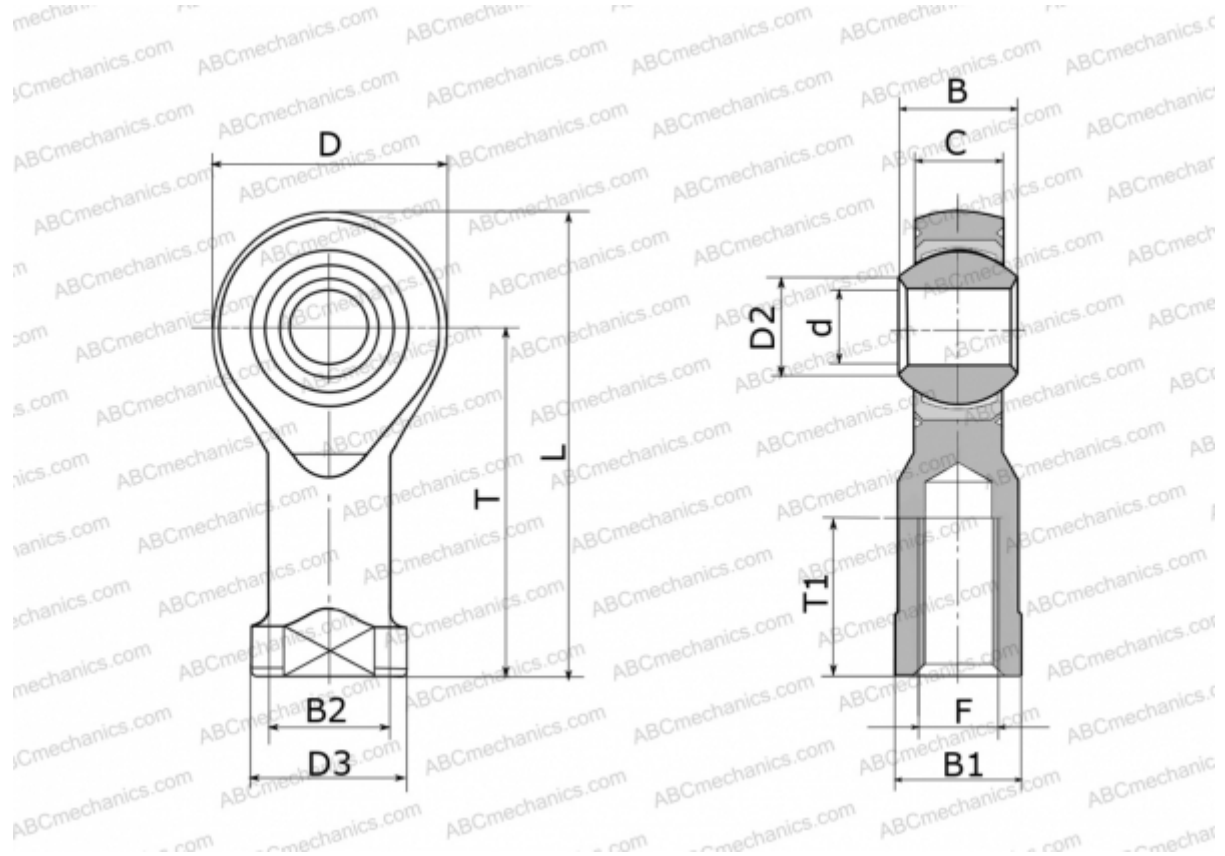


GILSW 30 FLURO

TYPE: Plain bearings, Spherical plain bearings and rod ends, Rod ends, Maintenance free, With internal thread, open design, left hand thread, series GILSW (FLURO)



Technical specification

DIMENSIONS, MM

| | |
|----|---------|
| d | 30,000 |
| D | 70,000 |
| D2 | 34,800 |
| D3 | 51,000 |
| B | 37,000 |
| B1 | 41,000 |
| B2 | 40,000 |
| L | 145,000 |
| T | 110,000 |
| T1 | 51,000 |
| C | 25,000 |
| F | M 30x2 |

MANUFACTURER

[FLURO](#)

WEIGHT, KG

1,130