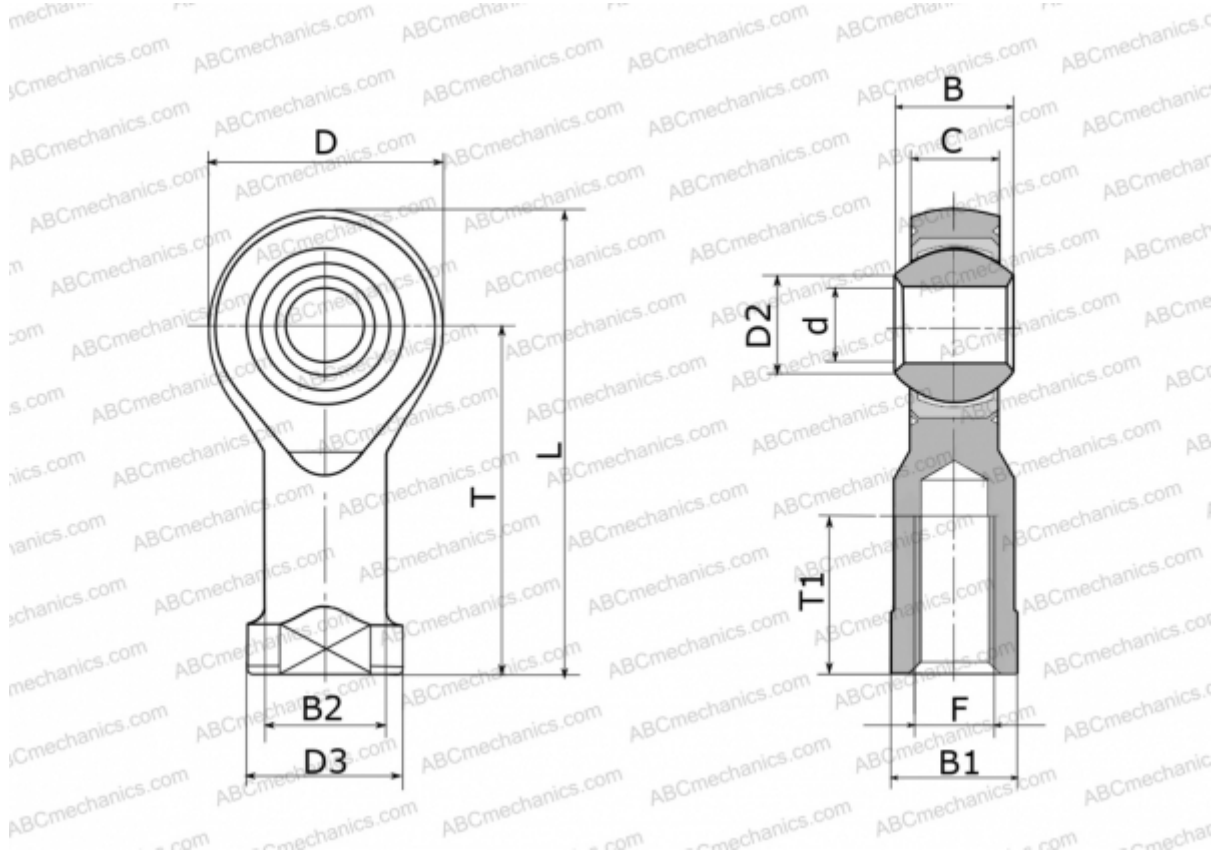


GILSW 50 FLURO

TYPE: Plain bearings, Spherical plain bearings and rod ends, Rod ends, Maintenance free, With internal thread, open design, left hand thread, series GILSW (FLURO)



Technical specification

DIMENSIONS, MM

d	50,000
D	116,000
D2	55,900
D3	78,000
B	60,000
B1	65,000
B2	65,000
L	218,000
T	160,000
T1	65,000
C	45,000
F	M 48x2

MANUFACTURER

[FLURO](#)

WEIGHT, KG

5,000