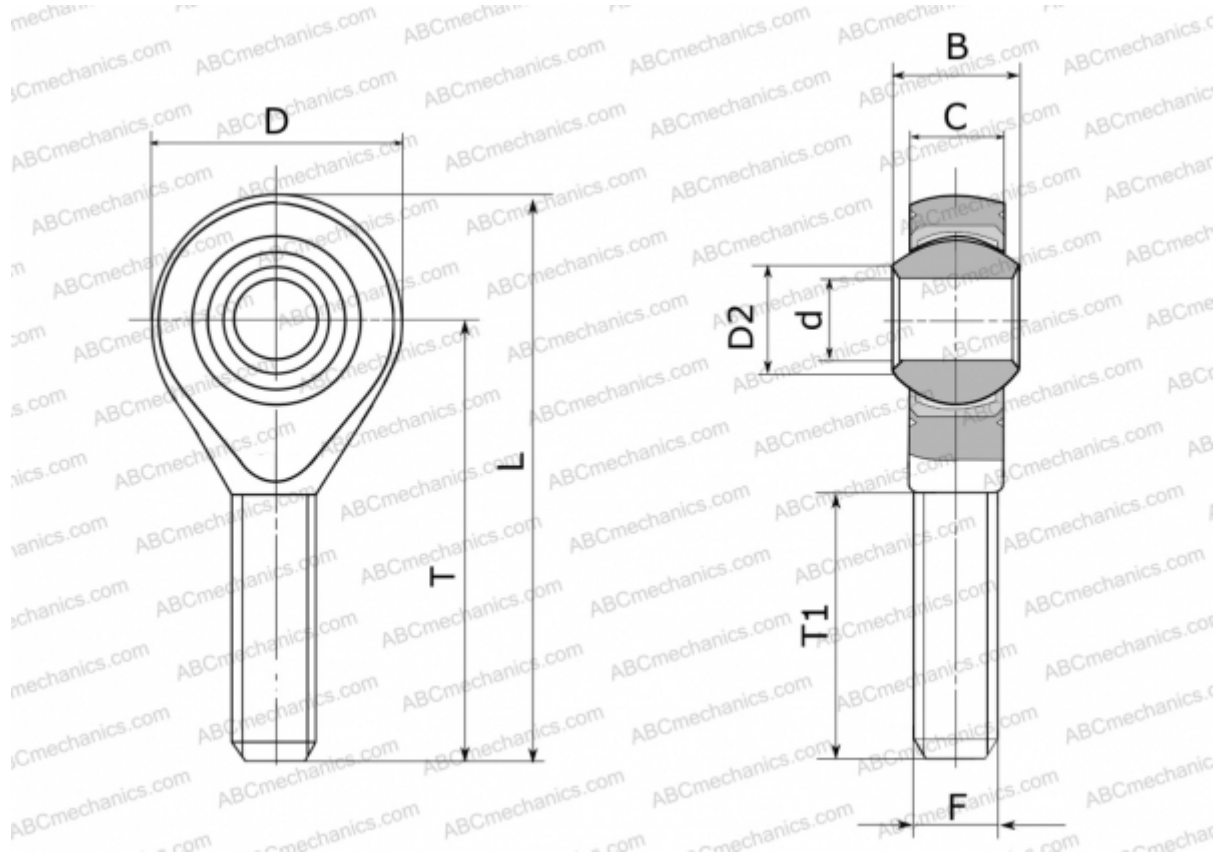


GALSW 20 FLURO

TYPE: Plain bearings, Spherical plain bearings and rod ends, Rod ends, Maintenance free, With external thread, open design, left hand thread, series GALSW (FLURO)



Technical specification

DIMENSIONS, MM

d	20,000
D	50,000
D2	24,300
B	25,000
L	103,000
T	78,000
T1	47,000
C	18,000
F	M 20x1.5

WEIGHT, KG 0,348

MANUFACTURER [FLURO](#)