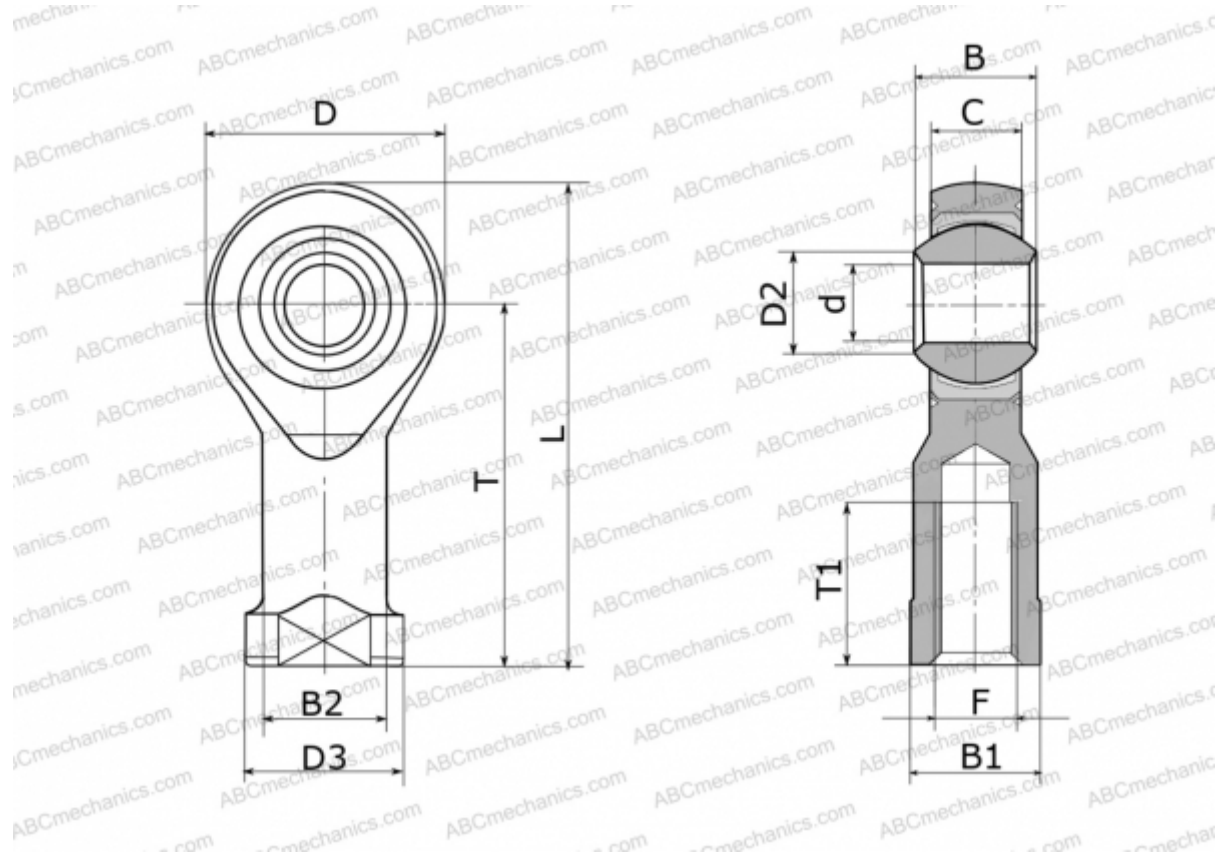


## GIXSW 30 FLURO

TYPE: Plain bearings, Spherical plain bearings and rod ends, Rod ends, Maintenance free, With internal thread, open design, right hand thread, series GIXSW (FLURO)



### Technical specification

#### DIMENSIONS, MM

d	30,000
D	70,000
D2	34,800
D3	51,000
B	37,000
B1	41,000
B2	40,000
L	145,000
T	110,000
T1	51,000
C	25,000
F	M 30x2

#### MANUFACTURER

[FLURO](#)

#### WEIGHT, KG

1,130