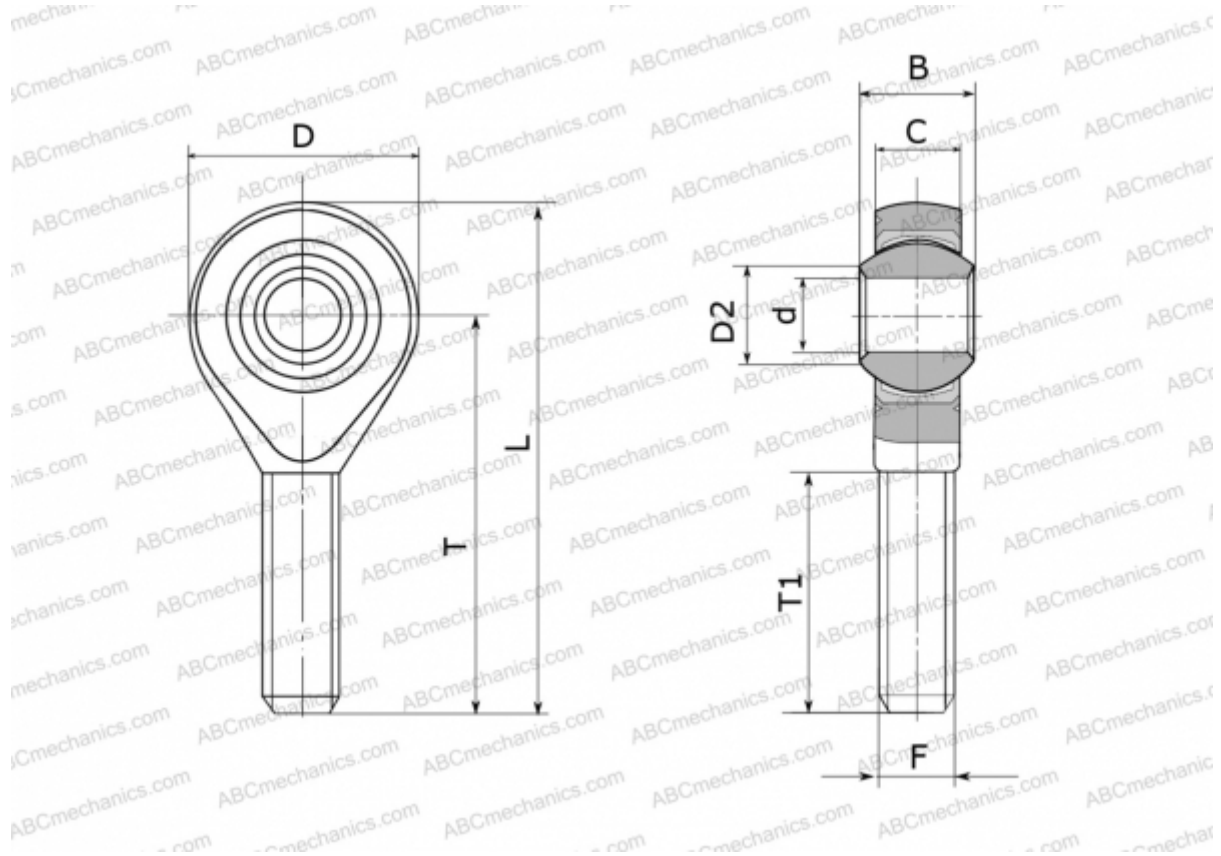


## GALXSW 18 FLURO

TYPE: Plain bearings, Spherical plain bearings and rod ends, Rod ends, Maintenance free, With external thread, open design, left hand thread, series GALXSW (FLURO)



### Technical specification

#### DIMENSIONS, MM

|    |          |
|----|----------|
| d  | 18,000   |
| D  | 46,000   |
| D2 | 21,800   |
| B  | 23,000   |
| L  | 95,000   |
| T  | 72,000   |
| T1 | 44,000   |
| C  | 16,500   |
| F  | M 18x1.5 |

**WEIGHT, KG** 0,267

**MANUFACTURER** [FLURO](#)