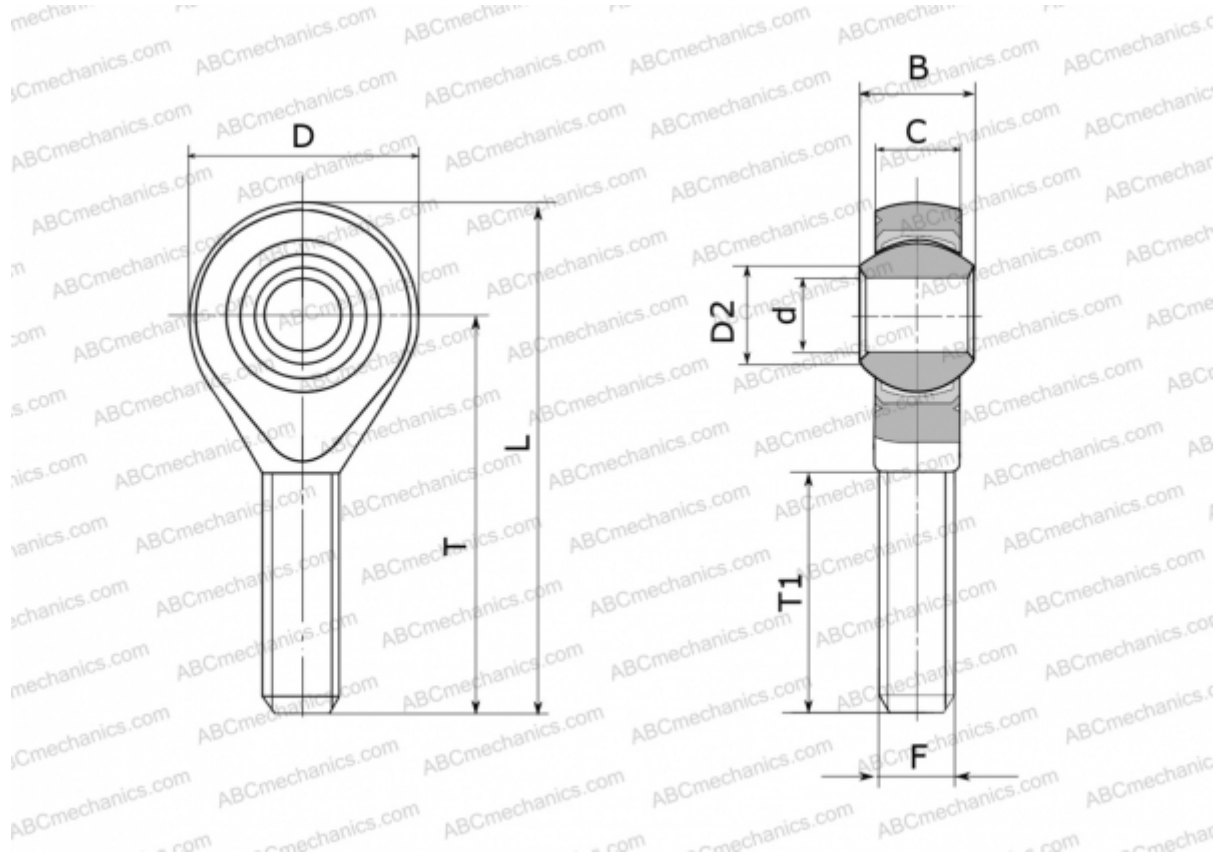


## GALXSW 30 FLURO

TYPE: Plain bearings, Spherical plain bearings and rod ends, Rod ends, Maintenance free, With external thread, open design, left hand thread, series GALXSW (FLURO)



### Technical specification

#### DIMENSIONS, MM

|    |         |
|----|---------|
| d  | 30,000  |
| D  | 70,000  |
| D2 | 34,800  |
| B  | 37,000  |
| L  | 145,000 |
| T  | 110,000 |
| T1 | 71,000  |
| C  | 25,000  |
| F  | M 30x2  |

**WEIGHT, KG** 1,030

**MANUFACTURER** [FLURO](#)