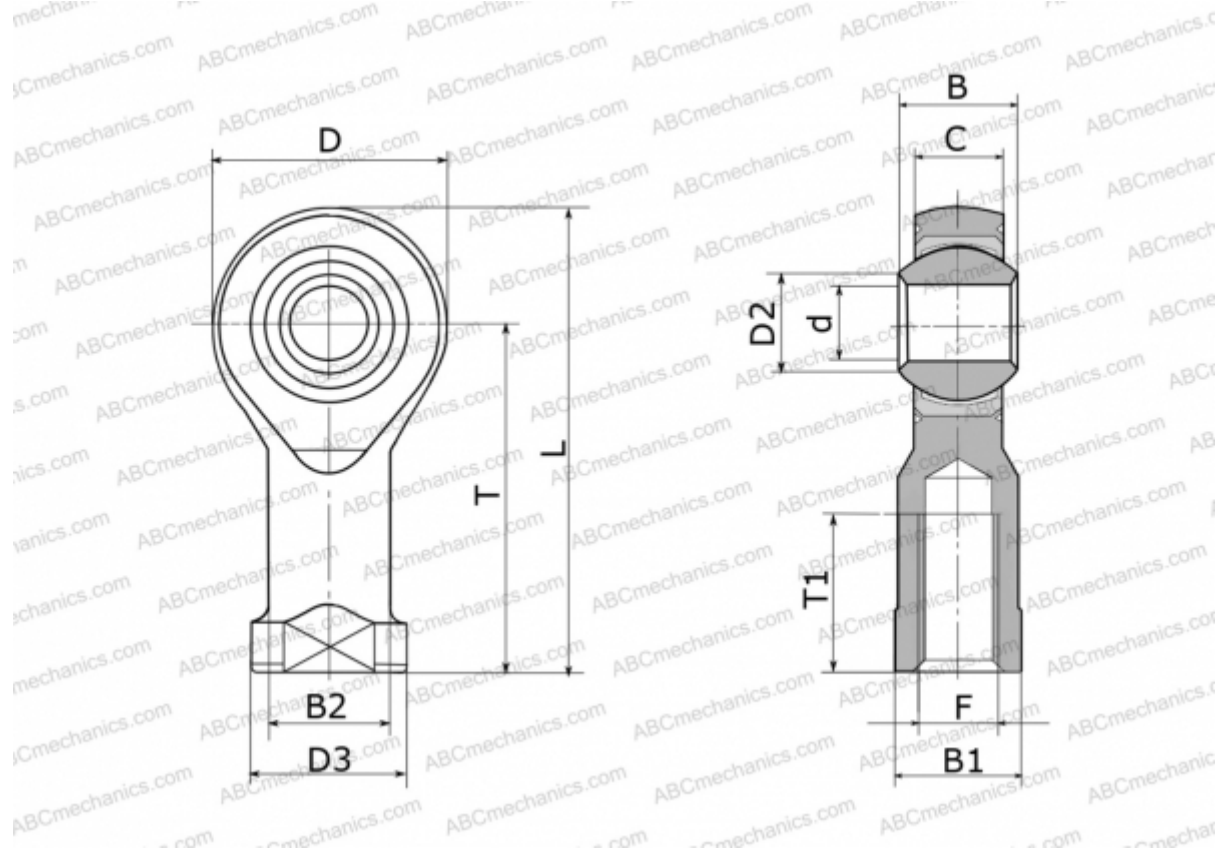


## GILRSW 20 FLURO

TYPE: Plain bearings, Spherical plain bearings and rod ends, Rod ends, Maintenance free, With internal thread, open design, left hand thread, stainless steel, series GILRSW (FLURO)



### Technical specification

#### DIMENSIONS, MM

d	20,000
D	50,000
D2	24,300
D3	34,000
B	25,000
B1	32,000
B2	27,500
L	102,000
T	77,000
T1	33,000
C	18,000
F	M 20x1.5

#### MANUFACTURER

[FLURO](#)

#### WEIGHT, KG

0,415