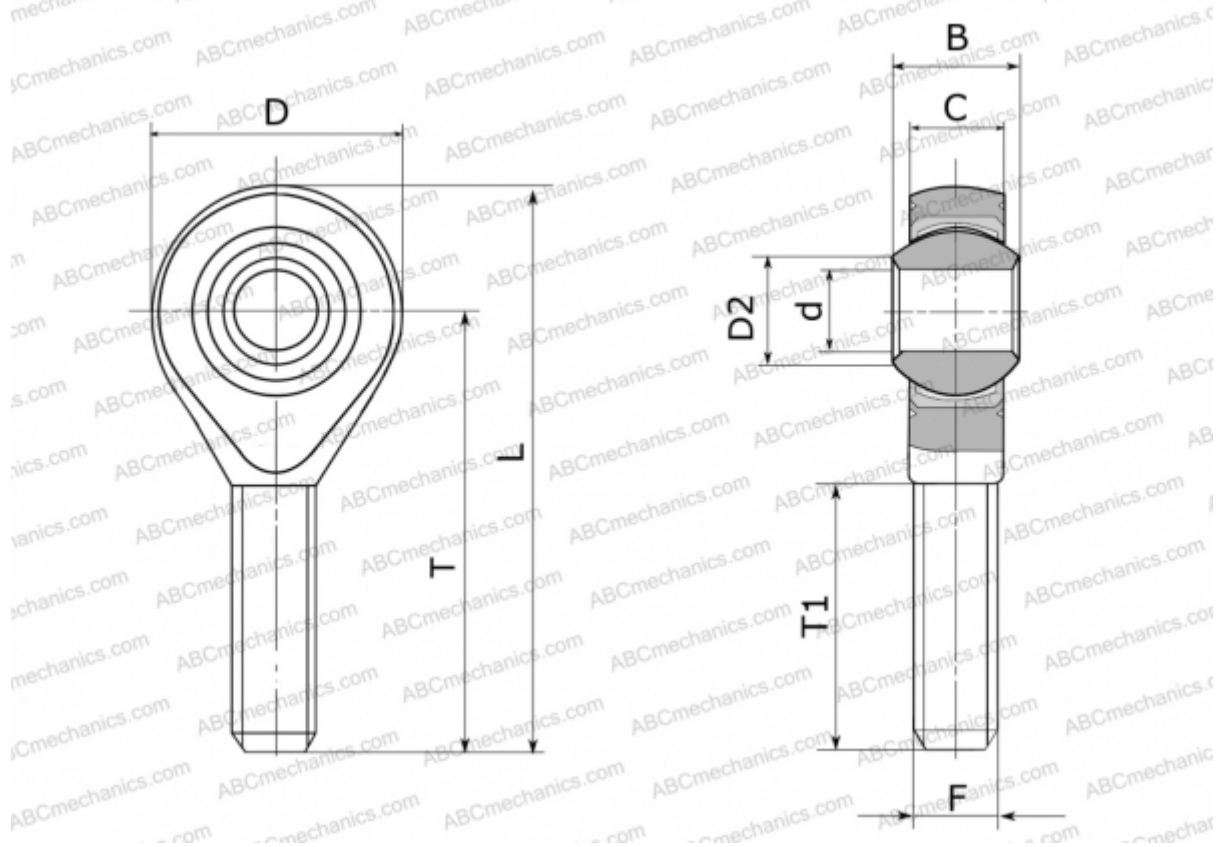


## GARSW 22 FLURO

TYPE: Plain bearings, Spherical plain bearings and rod ends, Rod ends, Maintenance free, With external thread, open design, right hand thread, stainless steel, series GARSW (FLURO)



### Technical specification

#### DIMENSIONS, MM

d	22,000
D	54,000
D2	25,800
B	28,000
L	111,000
T	84,000
T1	51,000
C	20,000
F	M 22x1.5

**WEIGHT, KG** 0,443

**MANUFACTURER** [FLURO](#)