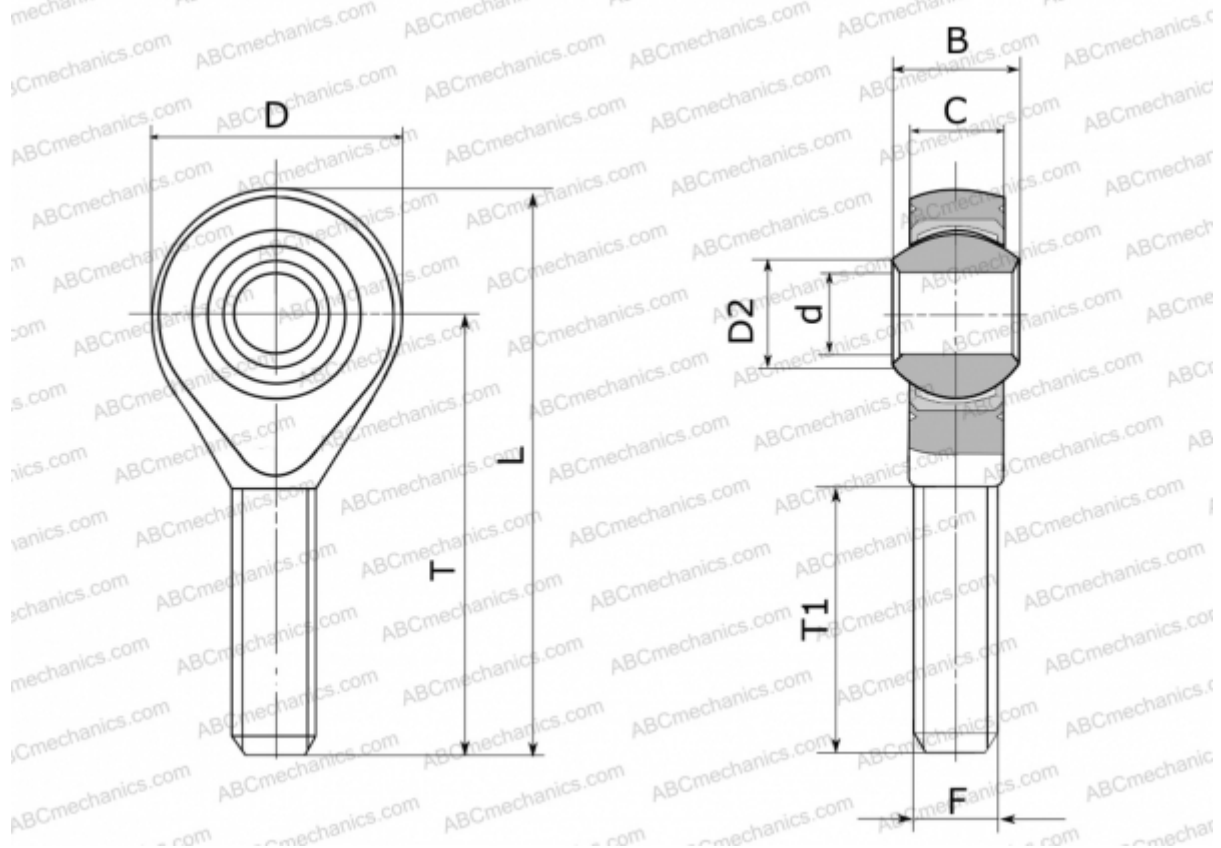


## GARSW 40 FLURO

TYPE: Plain bearings, Spherical plain bearings and rod ends, Rod ends, Maintenance free, With external thread, open design, right hand thread, stainless steel, series GARSW (FLURO)



### Technical specification

#### DIMENSIONS, MM

d	40,000
D	90,000
D2	44,200
B	49,000
L	187,000
T	142,000
T1	78,000
C	35,000
F	M 42x2

**WEIGHT, KG** 2,570

**MANUFACTURER** [FLURO](#)