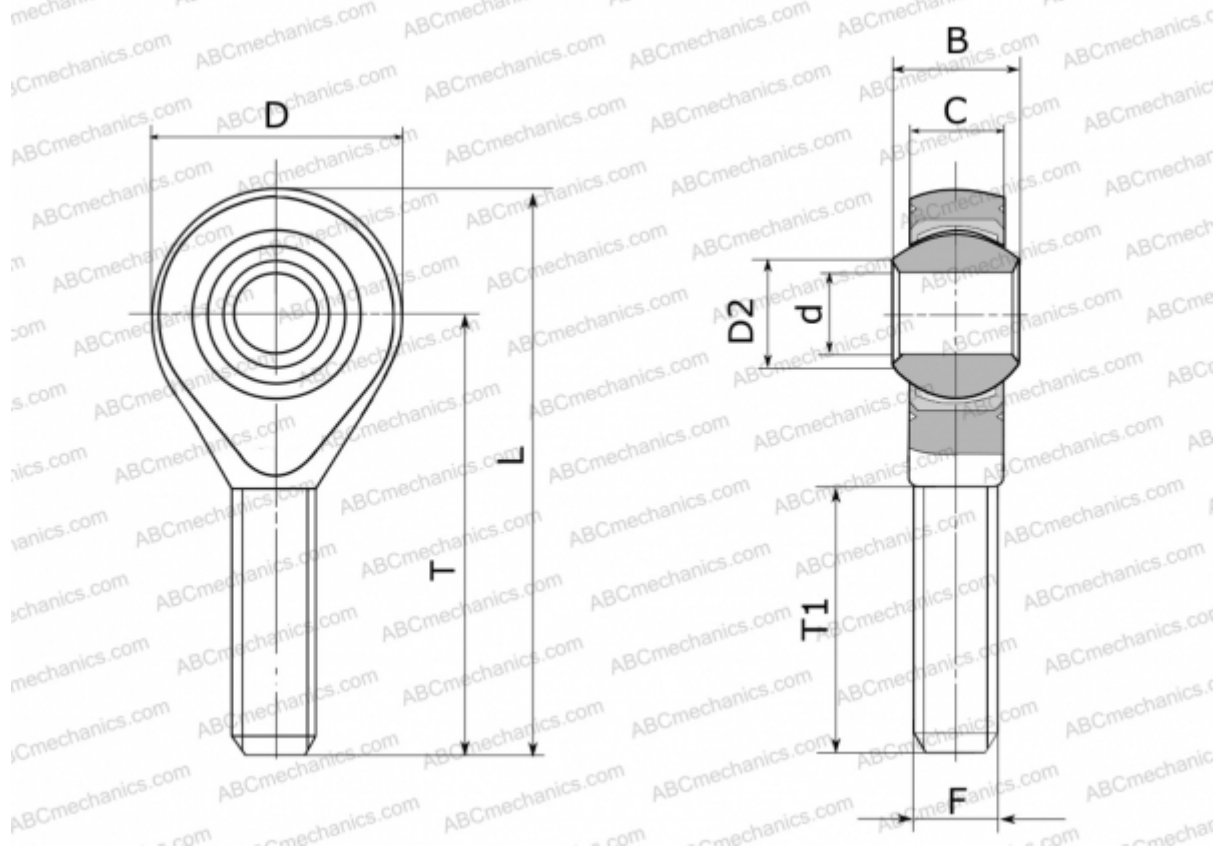


GALRSW 8 FLURO

TYPE: Plain bearings, Spherical plain bearings and rod ends, Rod ends, Maintenance free, With external thread, open design, left hand thread, stainless steel, series GALRSW (FLURO)



Technical specification

DIMENSIONS, MM

| | |
|----|--------|
| d | 8,000 |
| D | 24,000 |
| D2 | 10,400 |
| B | 12,000 |
| L | 54,000 |
| T | 42,000 |
| T1 | 25,000 |
| C | 9,000 |
| F | M 8 |

WEIGHT, KG 0,033

MANUFACTURER [FLURO](#)