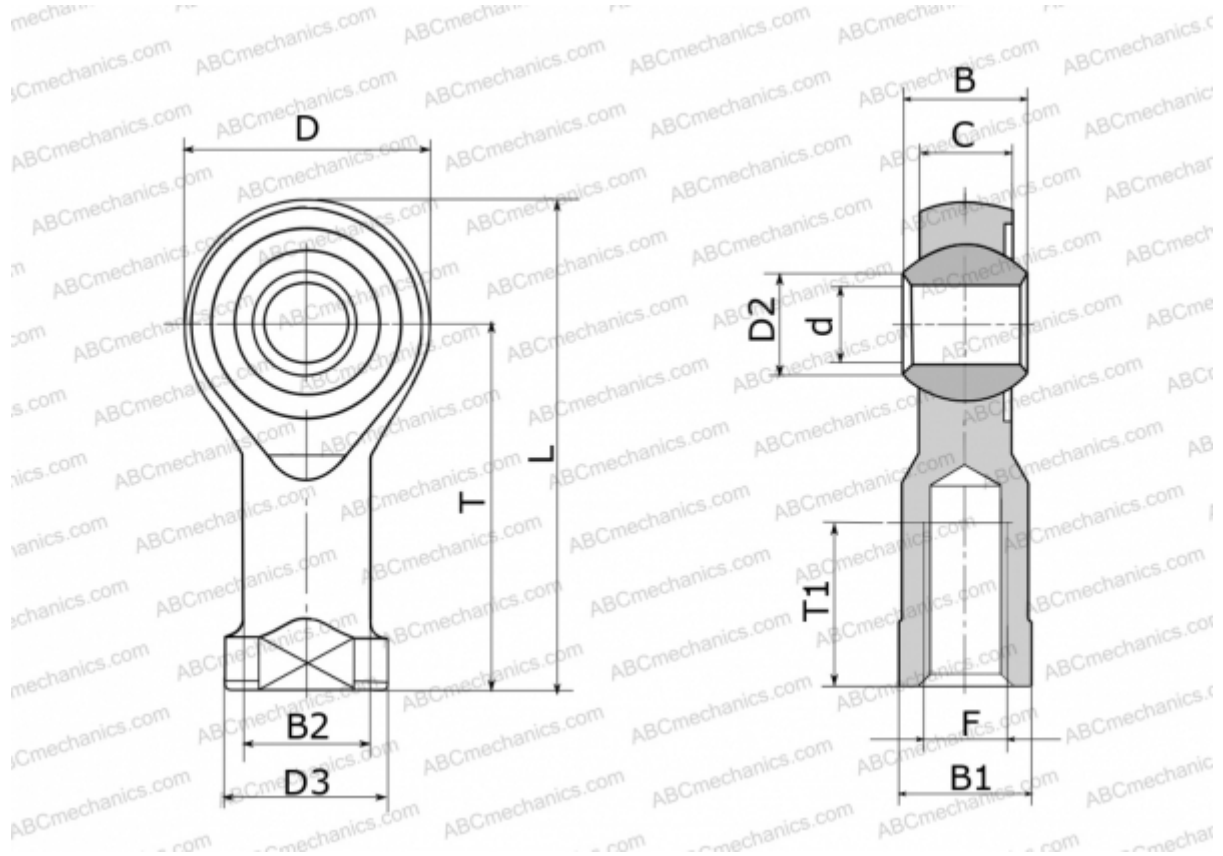


GILO 14 FLURO

TYPE: Plain bearings, Spherical plain bearings and rod ends, Rod ends, Maintenance free, With internal thread, open design, left hand thread, series GILO (FLURO)



Technical specification

DIMENSIONS, MM

| | |
|----|--------|
| d | 14,000 |
| D | 36,000 |
| D2 | 16,800 |
| D3 | 25,000 |
| B | 19,000 |
| B1 | 22,000 |
| B2 | 20,000 |
| L | 75,000 |
| T | 57,000 |
| T1 | 25,000 |
| C | 13,500 |
| F | M 14 |

MANUFACTURER

[FLURO](#)

WEIGHT, KG

0,170