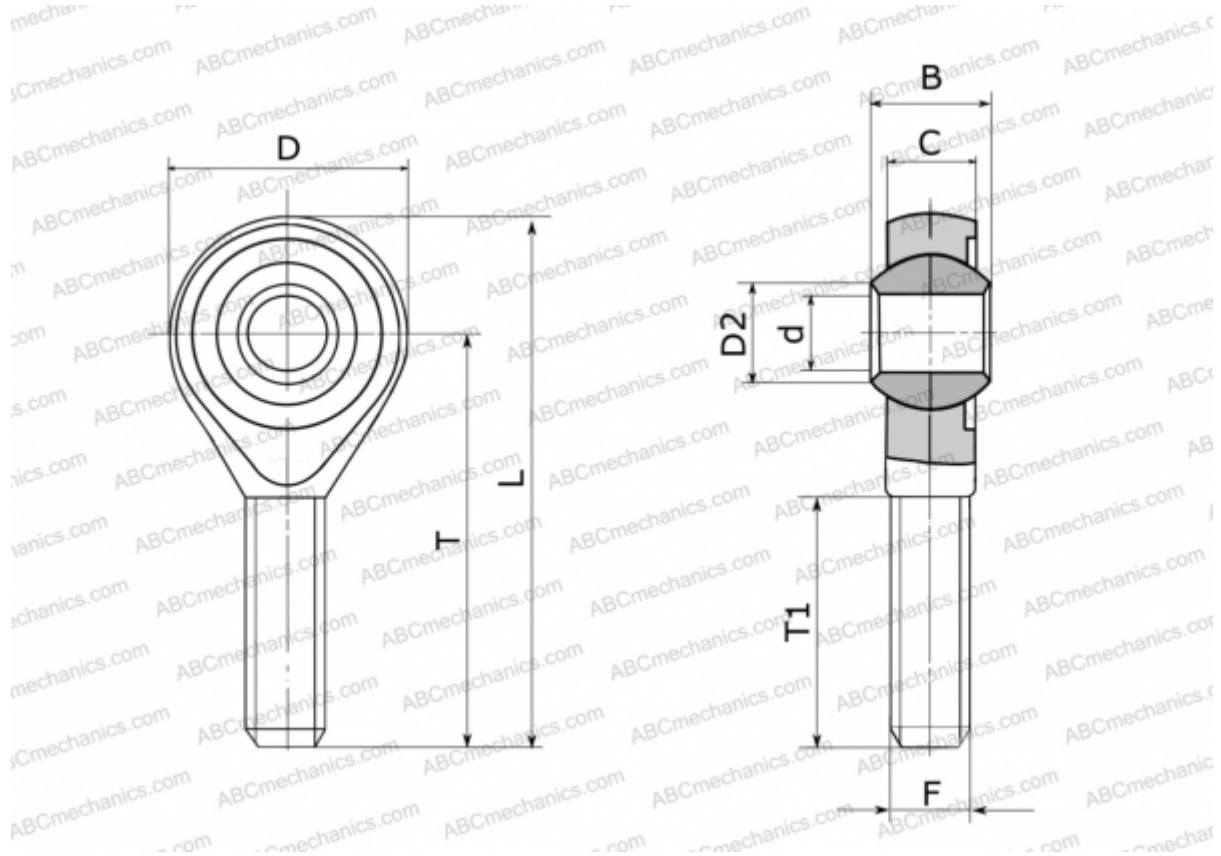


## GAO 8 FLURO

TYPE: Plain bearings, Spherical plain bearings and rod ends, Rod ends, Maintenance free, With external thread, open design, right hand thread, series GAO (FLURO)



### Technical specification

#### DIMENSIONS, MM

d	8,000
D	24,000
D2	10,400
B	12,000
L	54,000
T	42,000
T1	25,000
C	9,000
F	M 8

**WEIGHT, KG** 0,033

**MANUFACTURER** [FLURO](#)