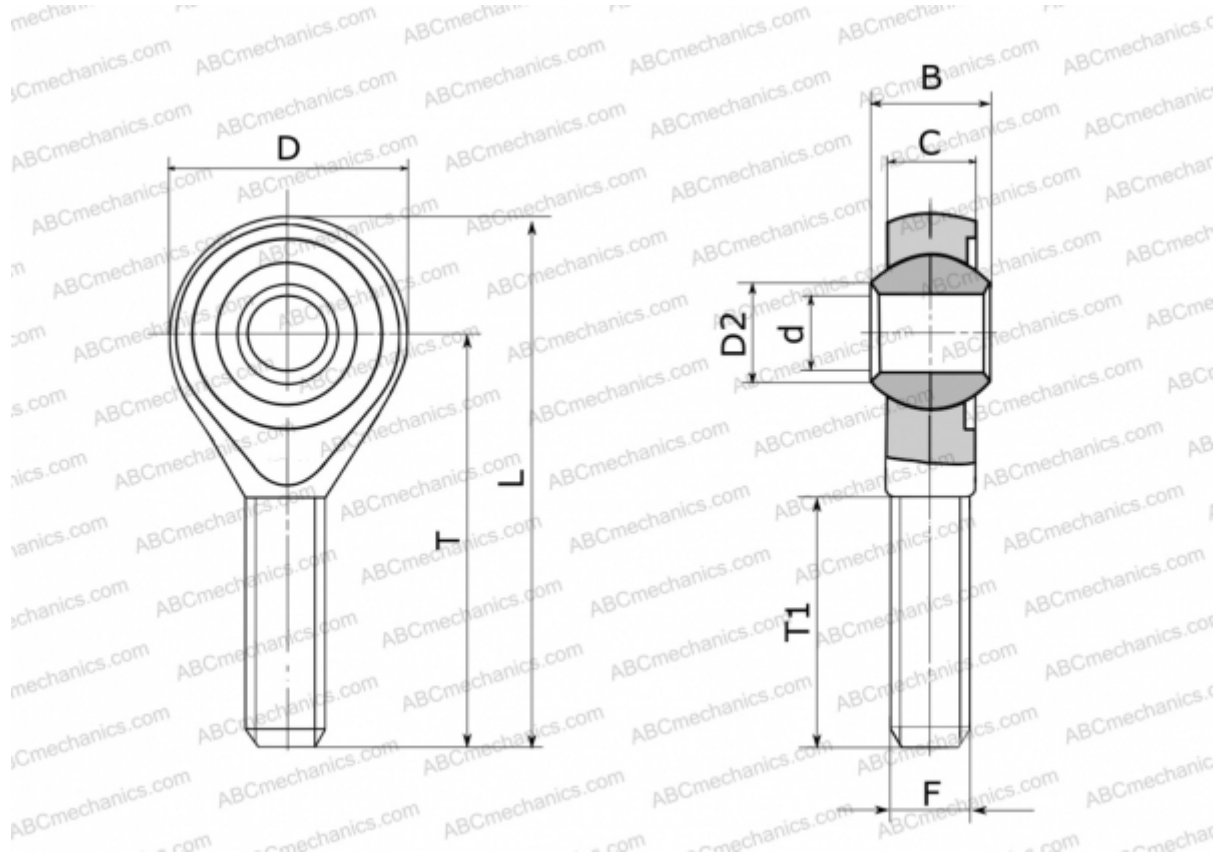


GALO 12 FLURO

TYPE: Plain bearings, Spherical plain bearings and rod ends, Rod ends, Maintenance free, With external thread, open design, left hand thread, series GALO (FLURO)



Technical specification

DIMENSIONS, MM

| | |
|----|--------|
| d | 12,000 |
| D | 32,000 |
| D2 | 15,400 |
| B | 16,000 |
| L | 70,000 |
| T | 54,000 |
| T1 | 32,000 |
| C | 12,000 |
| F | M 12 |

WEIGHT, KG 0,087

MANUFACTURER [FLURO](#)