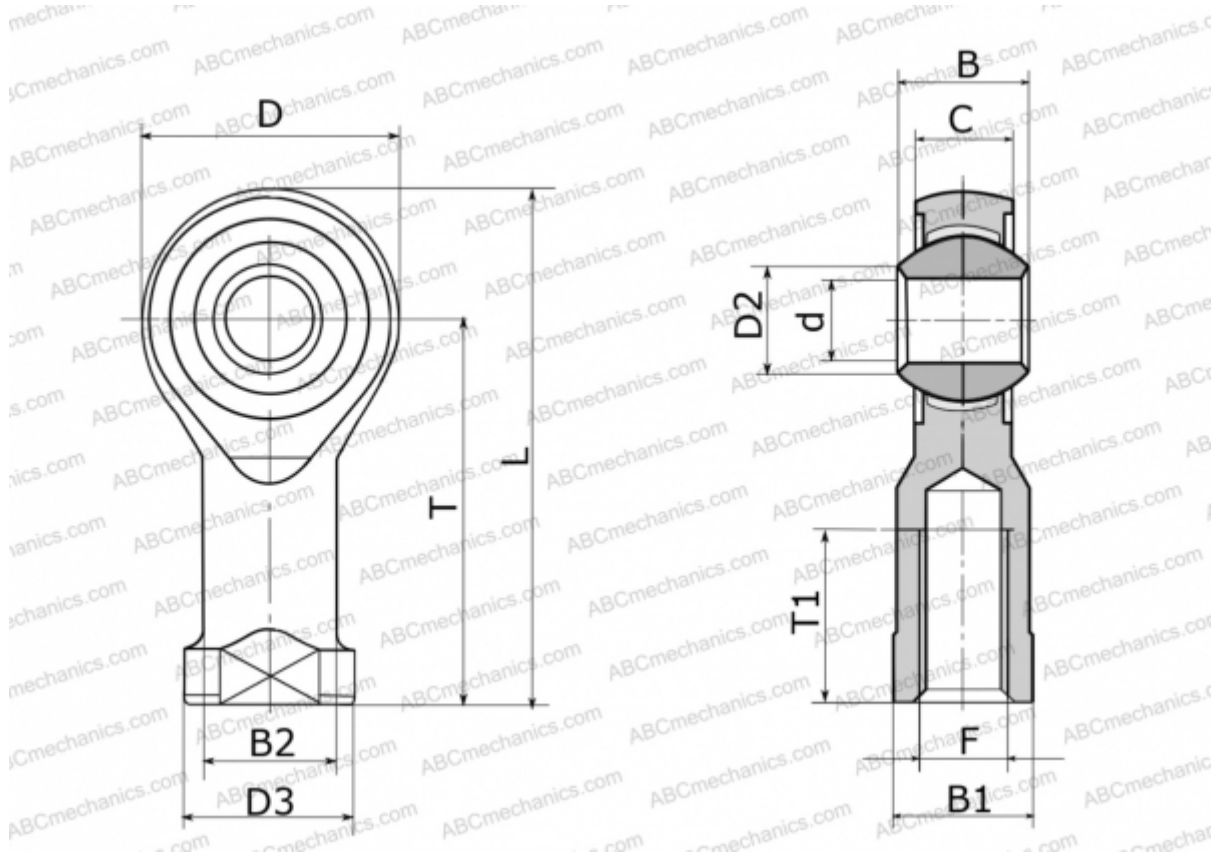


GIOW 5 FLURO

TYPE: Plain bearings, Spherical plain bearings and rod ends, Rod ends, Maintenance free, With internal thread, open design, right hand thread, series GIOW (FLURO)



Technical specification

DIMENSIONS, MM

| | |
|----|--------|
| d | 5,000 |
| D | 18,000 |
| D2 | 7,700 |
| D3 | 11,000 |
| B | 8,000 |
| B1 | 9,000 |
| B2 | 9,000 |
| L | 36,000 |
| T | 27,000 |
| T1 | 10,000 |
| C | 6,000 |
| F | M 5 |

MANUFACTURER

[FLURO](#)

WEIGHT, KG

0,018