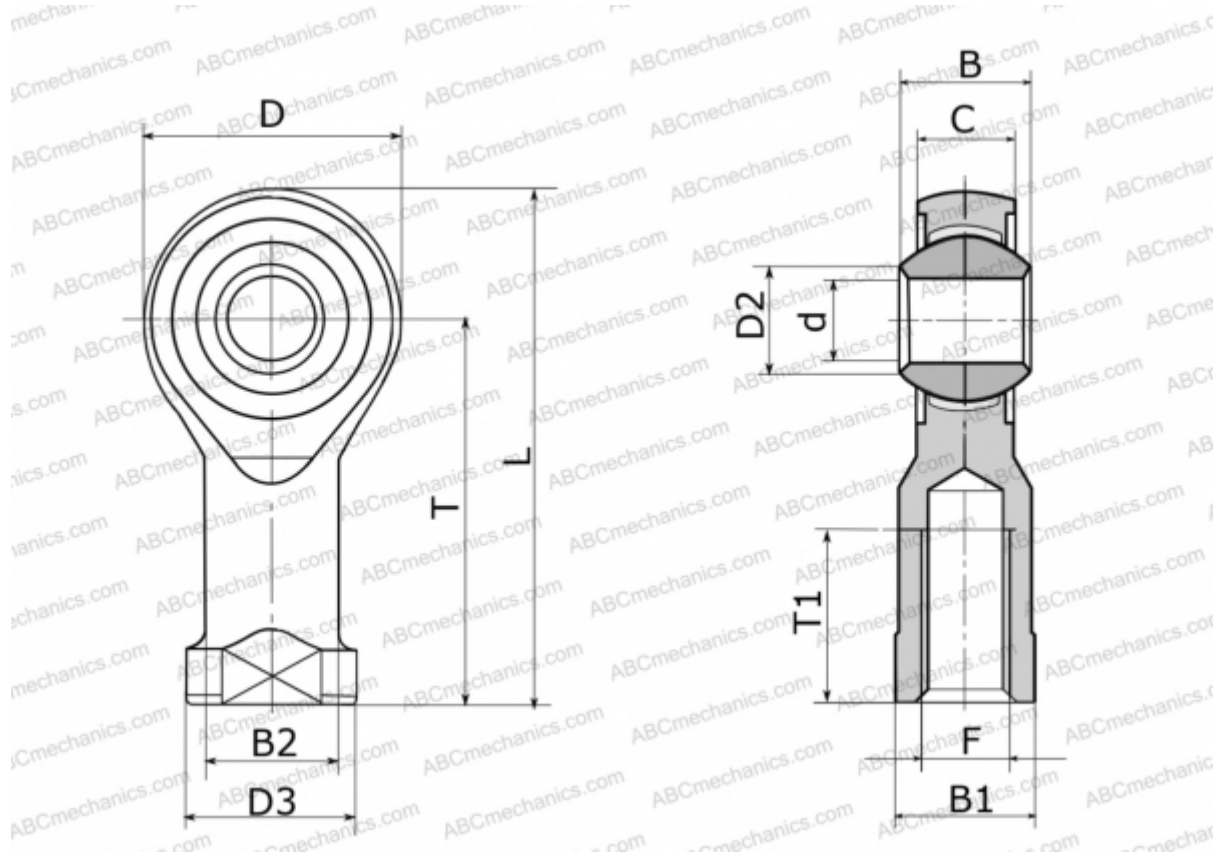


GILOW 10 FLURO

TYPE: Plain bearings, Spherical plain bearings and rod ends, Rod ends, Maintenance free, With internal thread, open design, left hand thread, series GILOW (FLURO)



Technical specification

DIMENSIONS, MM

| | |
|----|--------|
| d | 10,000 |
| D | 28,000 |
| D2 | 12,900 |
| D3 | 19,000 |
| B | 14,000 |
| B1 | 17,000 |
| B2 | 15,000 |
| L | 57,000 |
| T | 43,000 |
| T1 | 20,000 |
| C | 10,500 |
| F | M 10 |

MANUFACTURER

[FLURO](#)

WEIGHT, KG

0,076