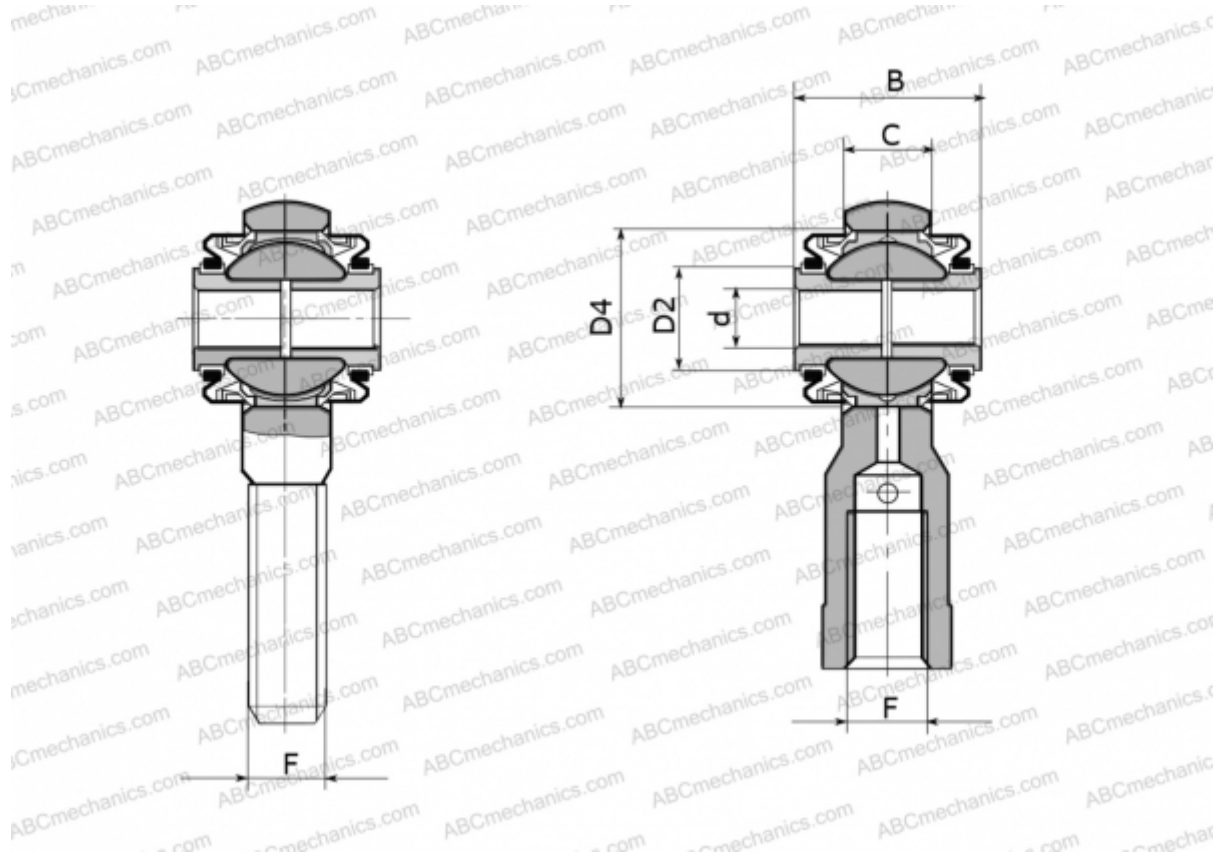


## G...10-2RS FLURO

TYPE: Plain bearings, Spherical plain bearings and rod ends, Rod ends, Maintenance free, Contact seals on both side, series G...-2RS (FLURO)



### Technical specification

#### DIMENSIONS, MM

d	8,000
D2	12,500
D4	21,000
B	21,000
C	10,500
F	M 10

#### MANUFACTURER

[FLURO](#)