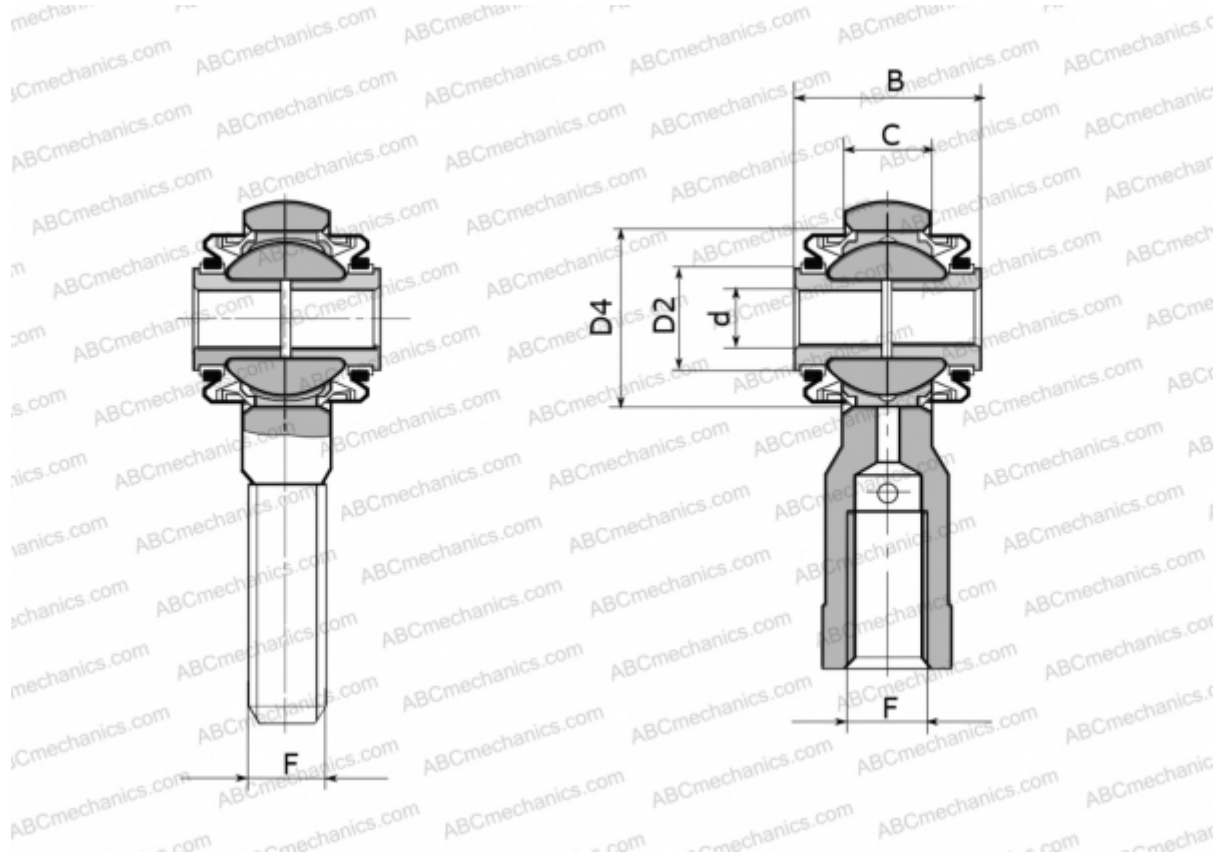


G...12-2RS FLURO

TYPE: Plain bearings, Spherical plain bearings and rod ends, Rod ends, Maintenance free, Contact seals on both side, series G...-2RS (FLURO)



Technical specification

DIMENSIONS, MM

| | |
|----|--------|
| d | 10,000 |
| D2 | 15,500 |
| D4 | 25,500 |
| B | 23,000 |
| C | 12,000 |
| F | M 12 |

MANUFACTURER

[FLURO](#)