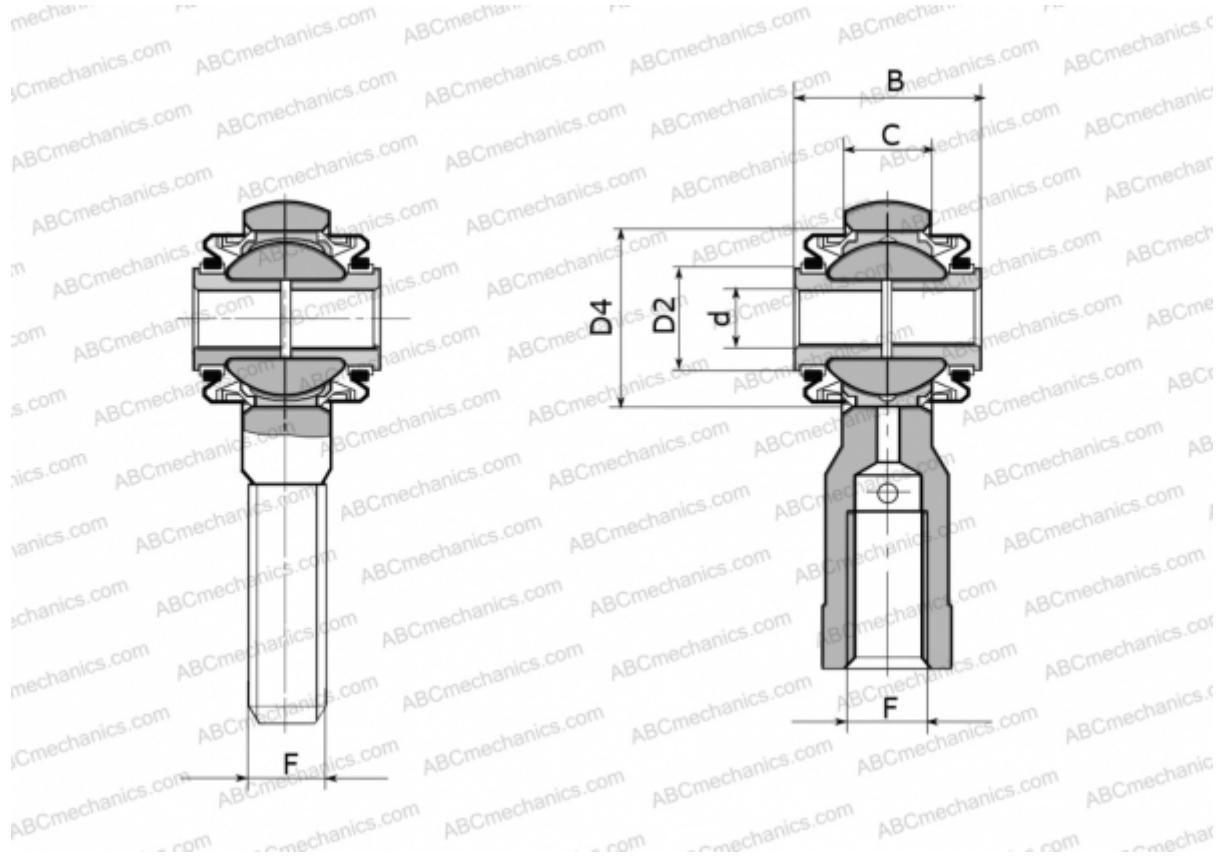


G...14-2RS FLURO

TYPE: Plain bearings, Spherical plain bearings and rod ends, Rod ends, Maintenance free, Contact seals on both side, series G...-2RS (FLURO)



Technical specification

DIMENSIONS, MM

d	12,000
D2	17,000
D4	29,000
B	26,000
C	13,500
F	M 14

MANUFACTURER

[FLURO](#)