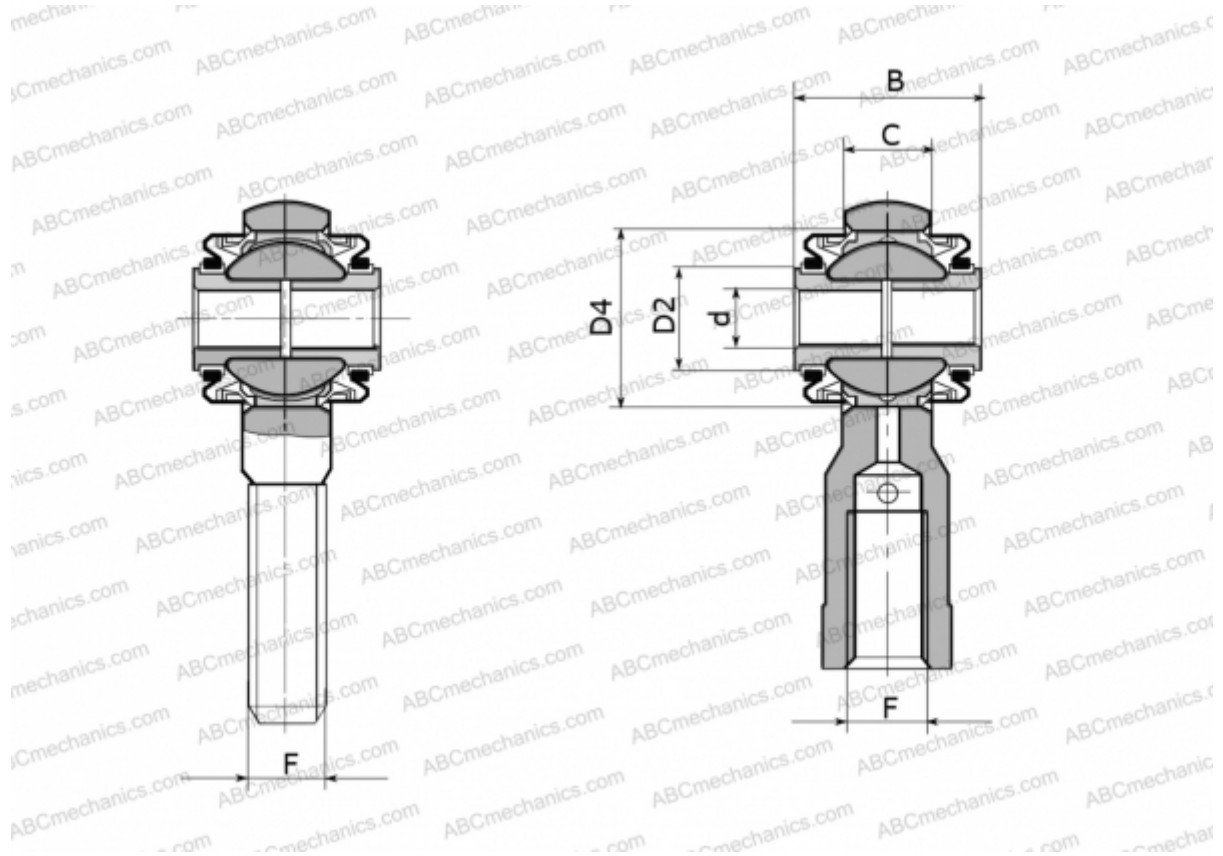


G...20-2RS FLURO

TYPE: Plain bearings, Spherical plain bearings and rod ends, Rod ends, Maintenance free, Contact seals on both side, series G...-2RS (FLURO)



Technical specification

DIMENSIONS, MM

d	18,000
D2	22,000
D4	38,000
B	32,000
C	18,000
F	M 20x1.5

MANUFACTURER

[FLURO](#)