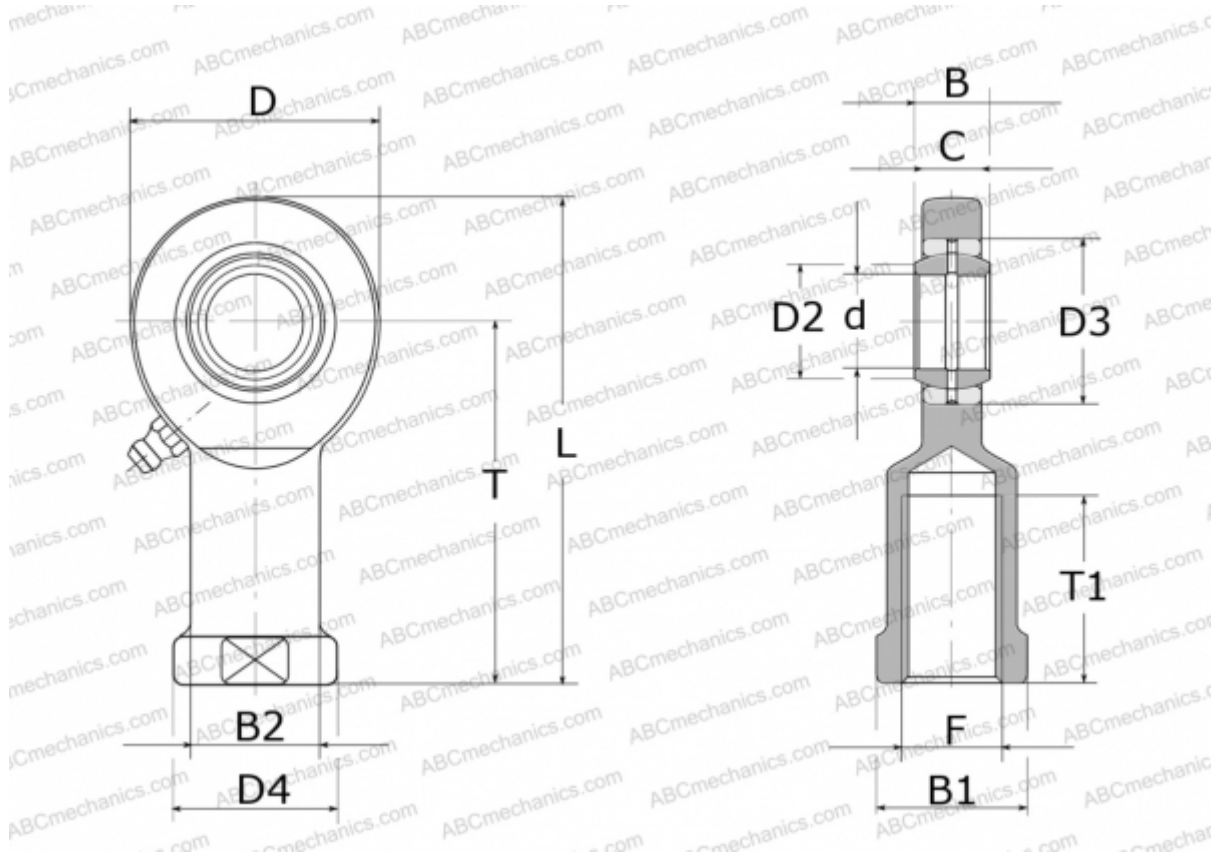


## GIL10-DO ELGES

TYPE: Plain bearings, Spherical plain bearings and rod ends, Rod ends, Requiring maintenance, With internal thread, open design, left hand thread, series GIL..-DO (INA)



### Technical specification

#### DIMENSIONS, MM

|    |        |
|----|--------|
| d  | 10,000 |
| D  | 29,000 |
| D2 | 13,200 |
| D3 | 19,000 |
| D4 | 19,000 |
| B  | 9,000  |
| B1 | 17,000 |
| B2 | 15,000 |
| L  | 57,500 |
| T  | 43,000 |
| T1 | 20,000 |
| C  | 7,000  |
| F  | M10    |

#### MANUFACTURER

[ELGES](#)

#### WEIGHT, KG

0,066