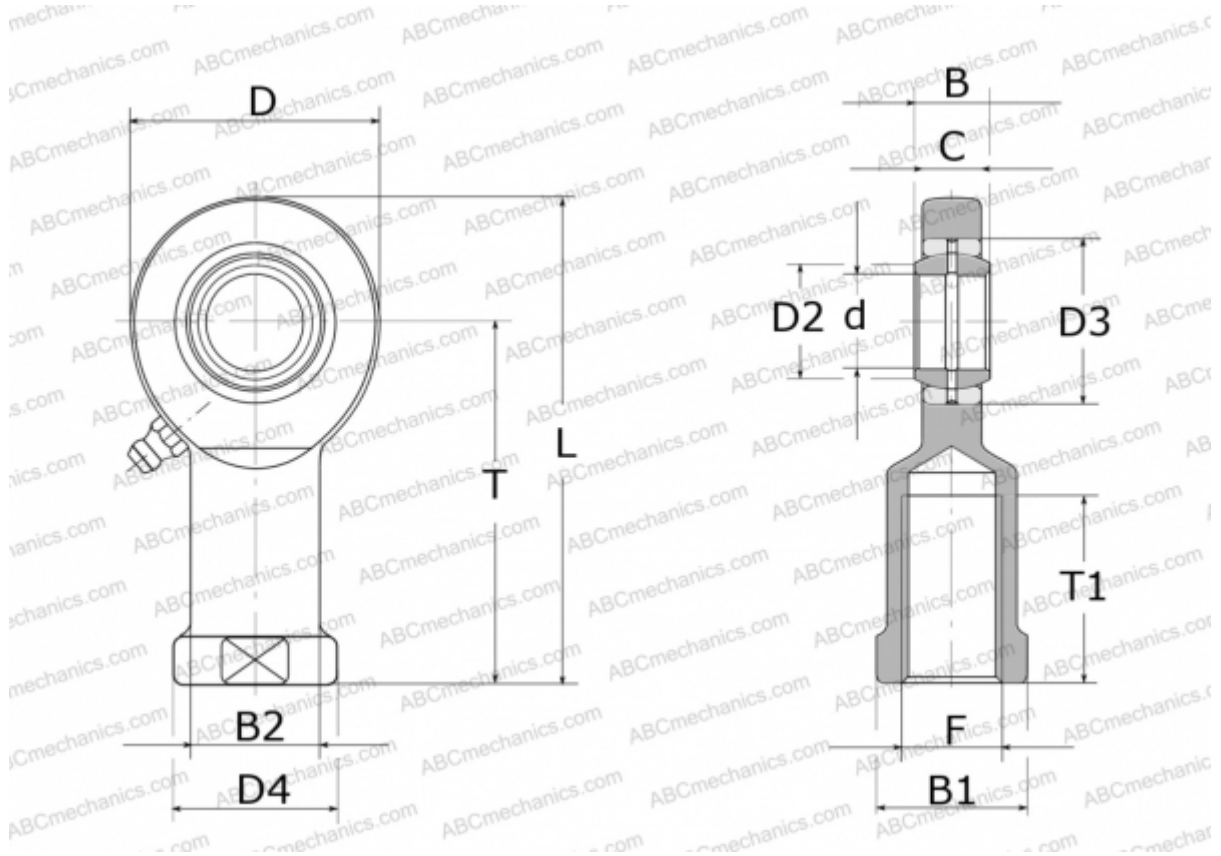


GIL30-DO ELGES

TYPE: Plain bearings, Spherical plain bearings and rod ends, Rod ends, Requiring maintenance, With internal thread, open design, left hand thread, series GIL..-DO (INA)



Technical specification

DIMENSIONS, MM

d	30,000
D	73,000
D2	34,200
D3	47,000
D4	50,000
B	22,000
B1	41,000
B2	40,000
L	146,500
T	110,000
T1	56,000
C	19,000
F	M30X2

MANUFACTURER

[ELGES](#)

WEIGHT, KG

0,980