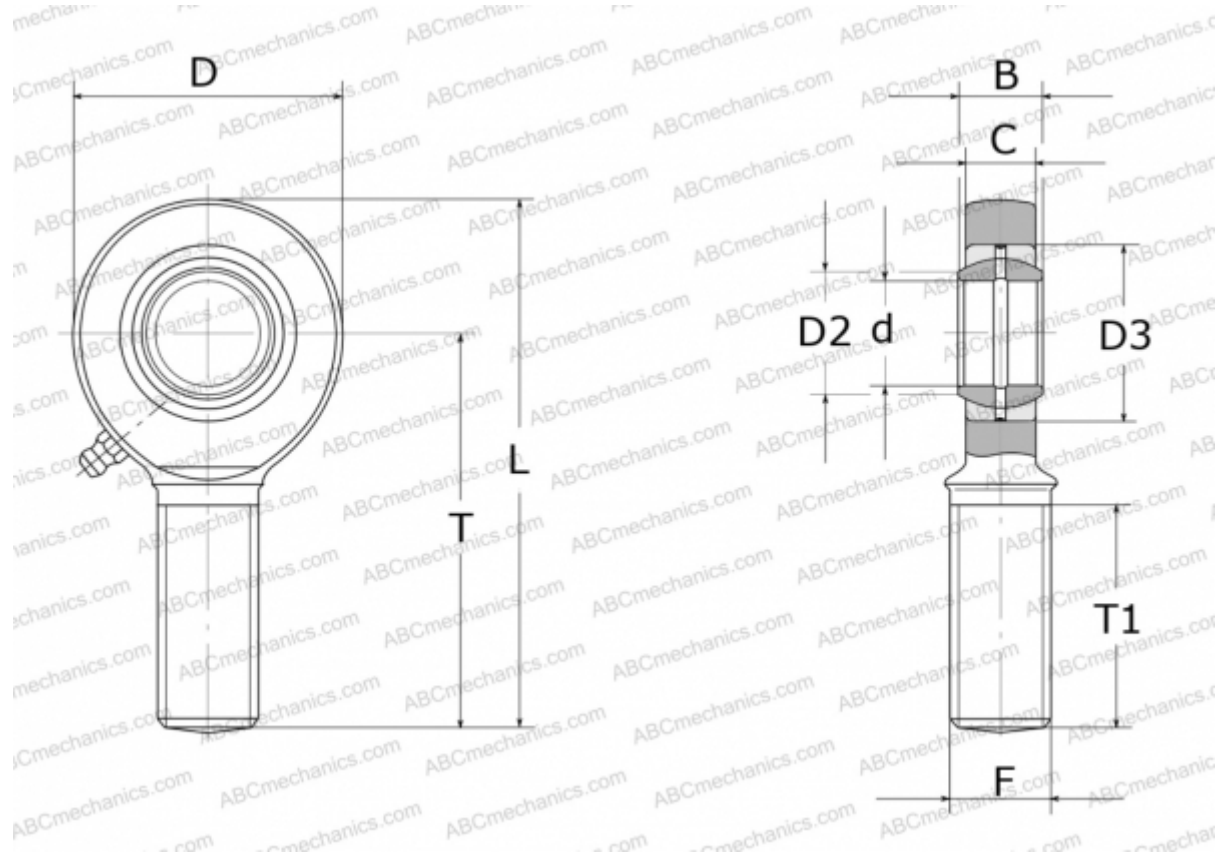


GAR15-DO ELGES

TYPE: Plain bearings, Spherical plain bearings and rod ends, Rod ends, Requiring maintenance, With external thread, open design, right hand thread, series GAR...-DO (INA)



Technical specification

DIMENSIONS, MM

d	15,000
D	40,000
D2	18,400
D3	26,000
B	12,000
L	83,000
T	63,000
T1	34,000
C	10,000
F	M14

WEIGHT, KG 0,150

MANUFACTURER [ELGES](#)