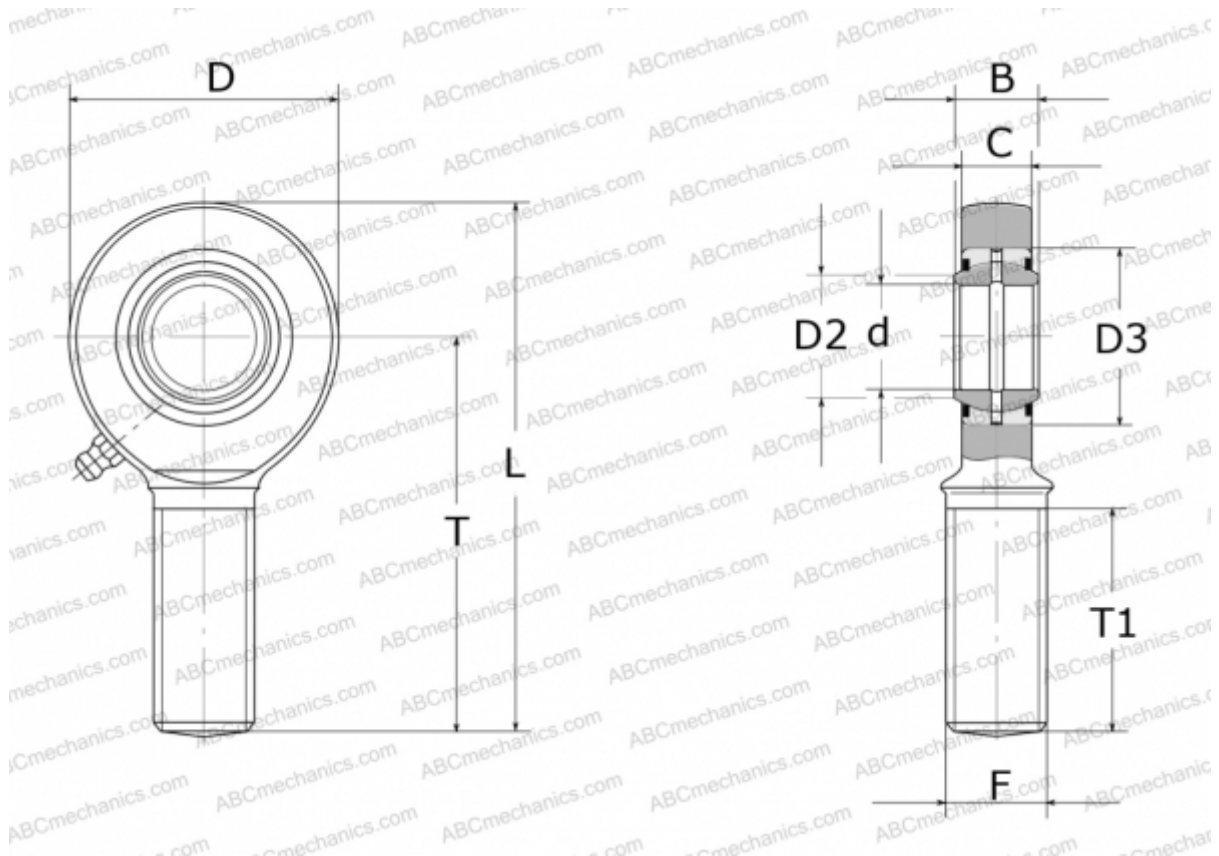


## GAR60-DO-2RS ELGES

TYPE: Plain bearings, Spherical plain bearings and rod ends, Rod ends, Requiring maintenance, With external thread, with lip seals or high performance seals, right hand thread, series GAR.-DO-2RS (INA)



### Technical specification

#### DIMENSIONS, MM

|    |         |
|----|---------|
| d  | 60,000  |
| D  | 135,000 |
| D2 | 66,800  |
| D3 | 90,000  |
| B  | 44,000  |
| L  | 277,500 |
| T  | 210,000 |
| T1 | 115,000 |
| C  | 38,000  |
| F  | M52X3   |

**WEIGHT, KG** 5,920

**MANUFACTURER** [ELGES](#)