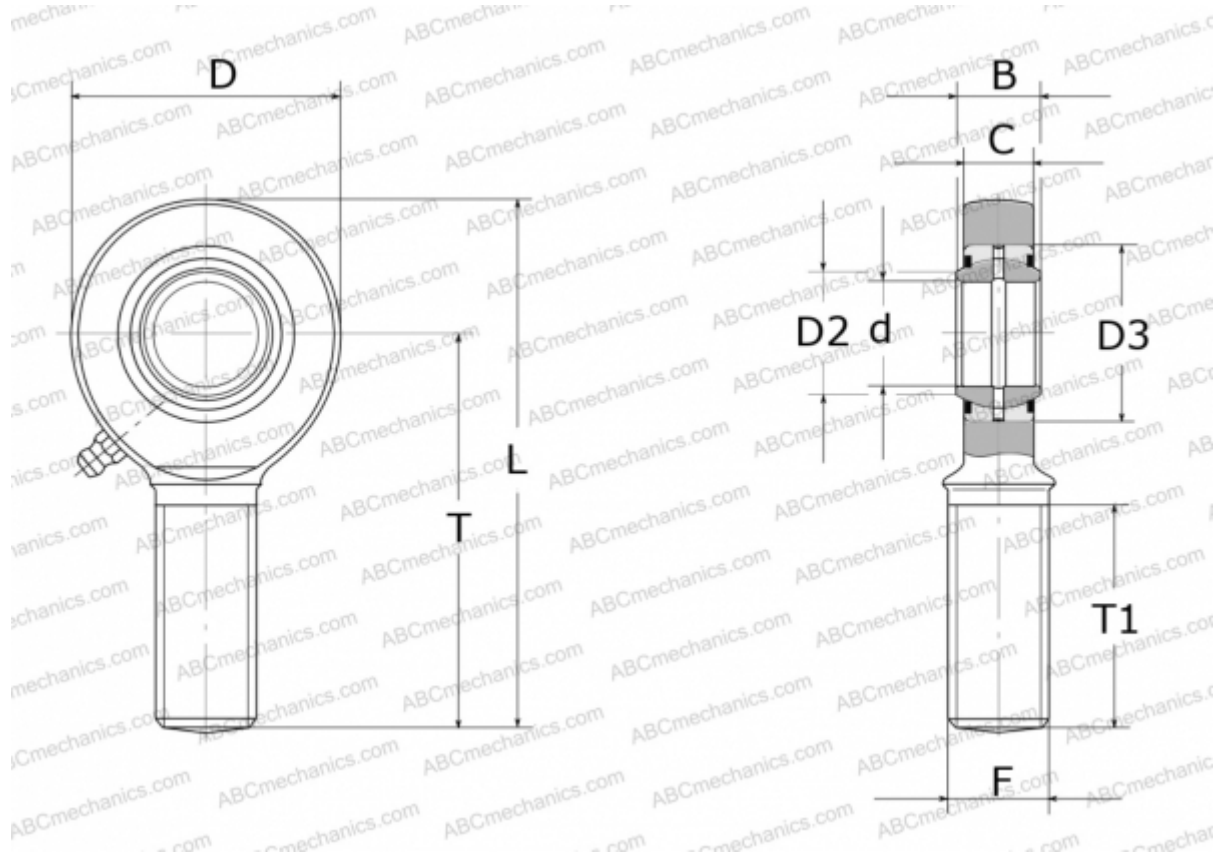


## GAL60-DO-2RS ELGES

TYPE: Plain bearings, Spherical plain bearings and rod ends, Rod ends, Requiring maintenance, With external thread, with lip seals or high performance seals, left hand thread, series GAL..-DO-2RS (INA)



### Technical specification

#### DIMENSIONS, MM

d	60,000
D	135,000
D2	66,800
D3	90,000
B	44,000
L	277,500
T	210,000
T1	115,000
C	38,000
F	M52X3

**WEIGHT, KG** 5,920

**MANUFACTURER** [ELGES](#)