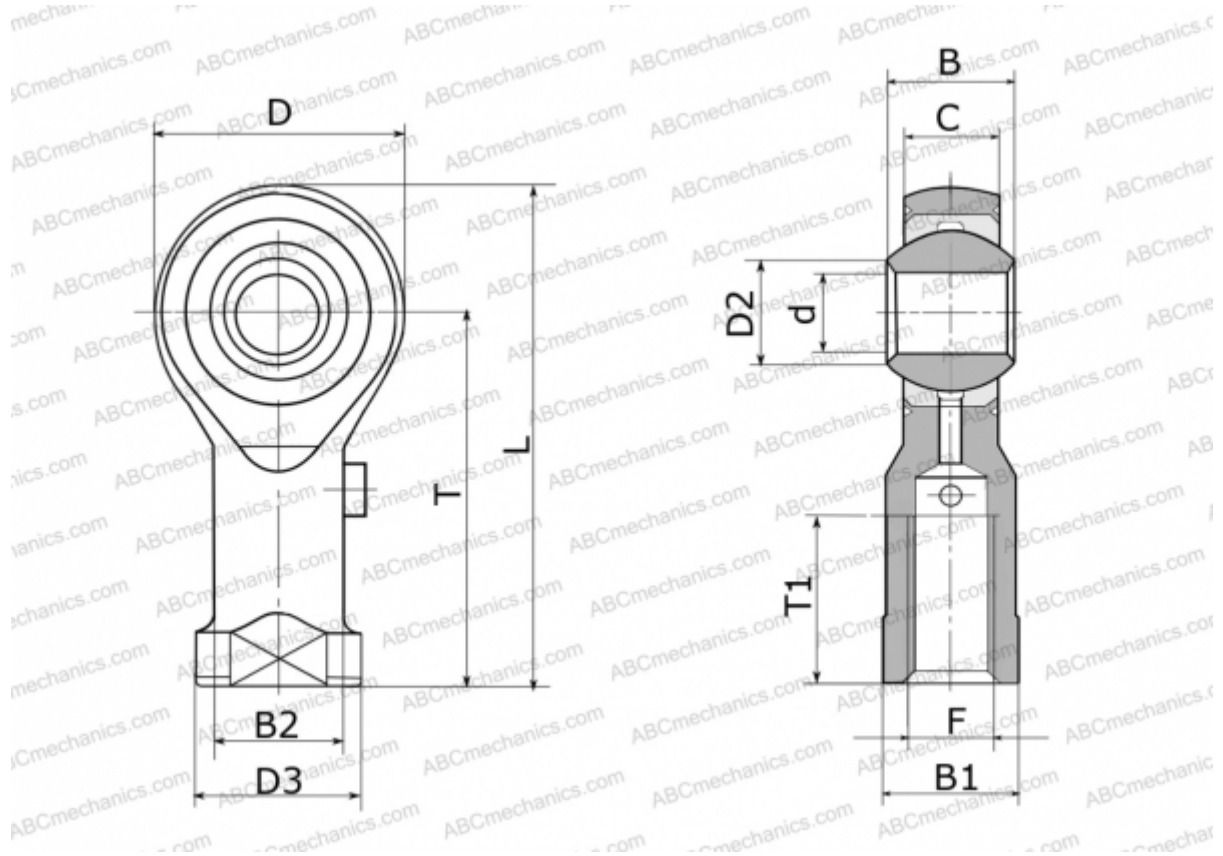


## GIL 22 FLURO

TYPE: Plain bearings, Spherical plain bearings and rod ends, Rod ends, Requiring maintenance, With internal thread, open design, left hand thread, series GIL (FLURO)



### Technical specification

#### DIMENSIONS, MM

|    |          |
|----|----------|
| d  | 22,000   |
| D  | 54,000   |
| D2 | 25,800   |
| D3 | 37,000   |
| B  | 28,000   |
| B1 | 32,000   |
| B2 | 30,000   |
| L  | 111,000  |
| T  | 84,000   |
| T1 | 37,000   |
| C  | 20,000   |
| F  | M 22x1.5 |

#### MANUFACTURER

[FLURO](#)

#### WEIGHT, KG

0,540