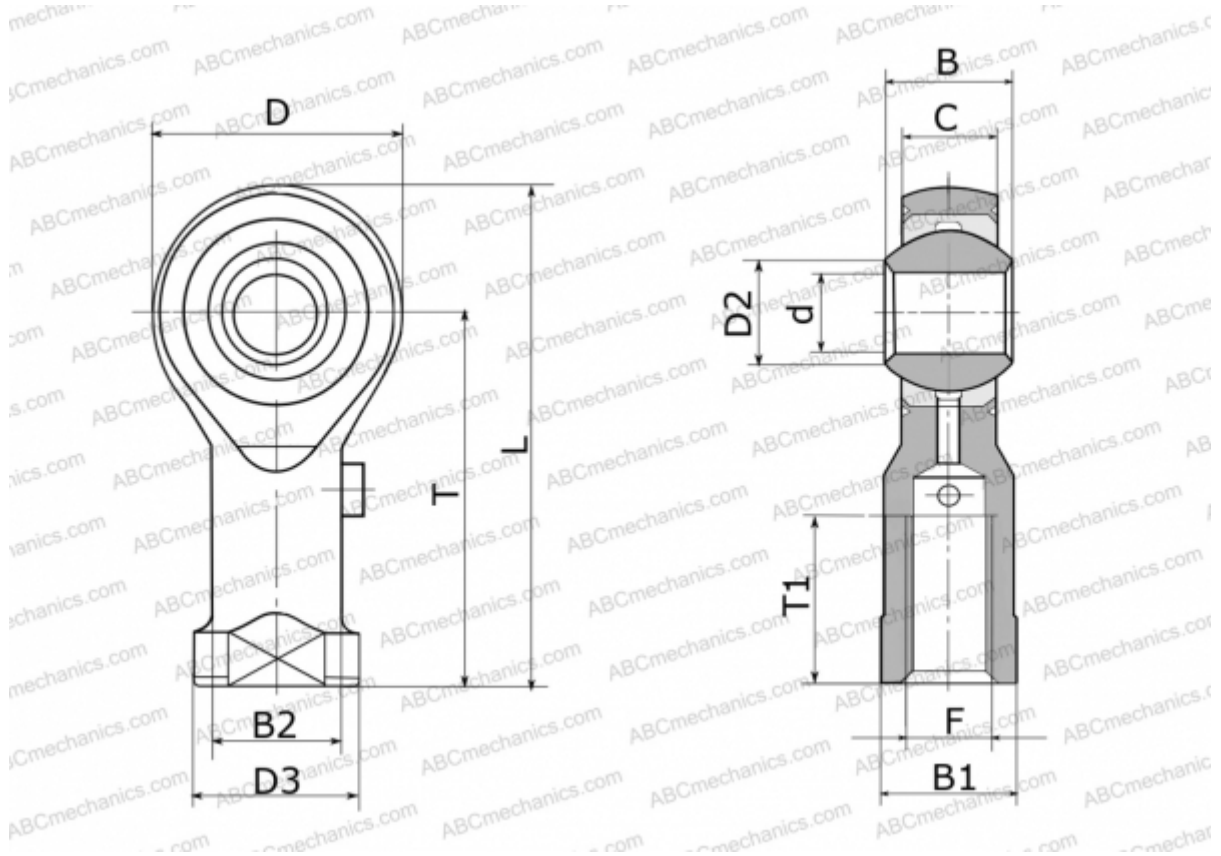


## GIL 25 FLURO

TYPE: Plain bearings, Spherical plain bearings and rod ends, Rod ends, Requiring maintenance, With internal thread, open design, left hand thread, series GIL (FLURO)



### Technical specification

#### DIMENSIONS, MM

d	25,000
D	60,000
D2	29,600
D3	42,000
B	31,000
B1	36,000
B2	33,500
L	124,000
T	94,000
T1	42,000
C	22,000
F	M 24x2

#### MANUFACTURER

[FLURO](#)

#### WEIGHT, KG

0,750