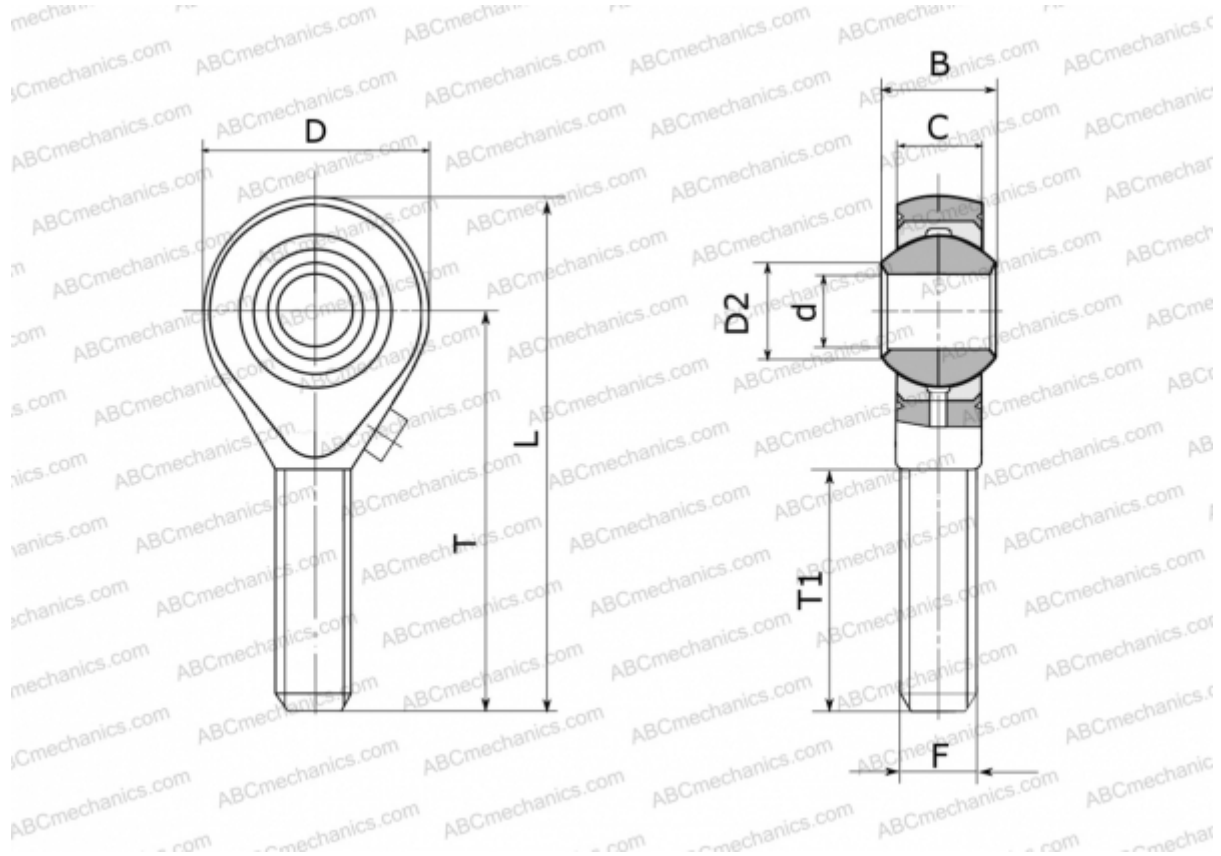


## GAS 2 FLURO

TYPE: Plain bearings, Spherical plain bearings and rod ends, Rod ends, Requiring maintenance, With external thread, open design, right hand thread, series GAS (FLURO)



### Technical specification

#### DIMENSIONS, MM

|    |        |
|----|--------|
| d  | 2,000  |
| D  | 9,000  |
| D2 | 2,600  |
| B  | 4,500  |
| L  | 24,500 |
| T  | 20,000 |
| T1 | 12,000 |
| C  | 3,600  |
| F  | M 2    |

**WEIGHT, KG** 0,003

**MANUFACTURER** [FLURO](#)