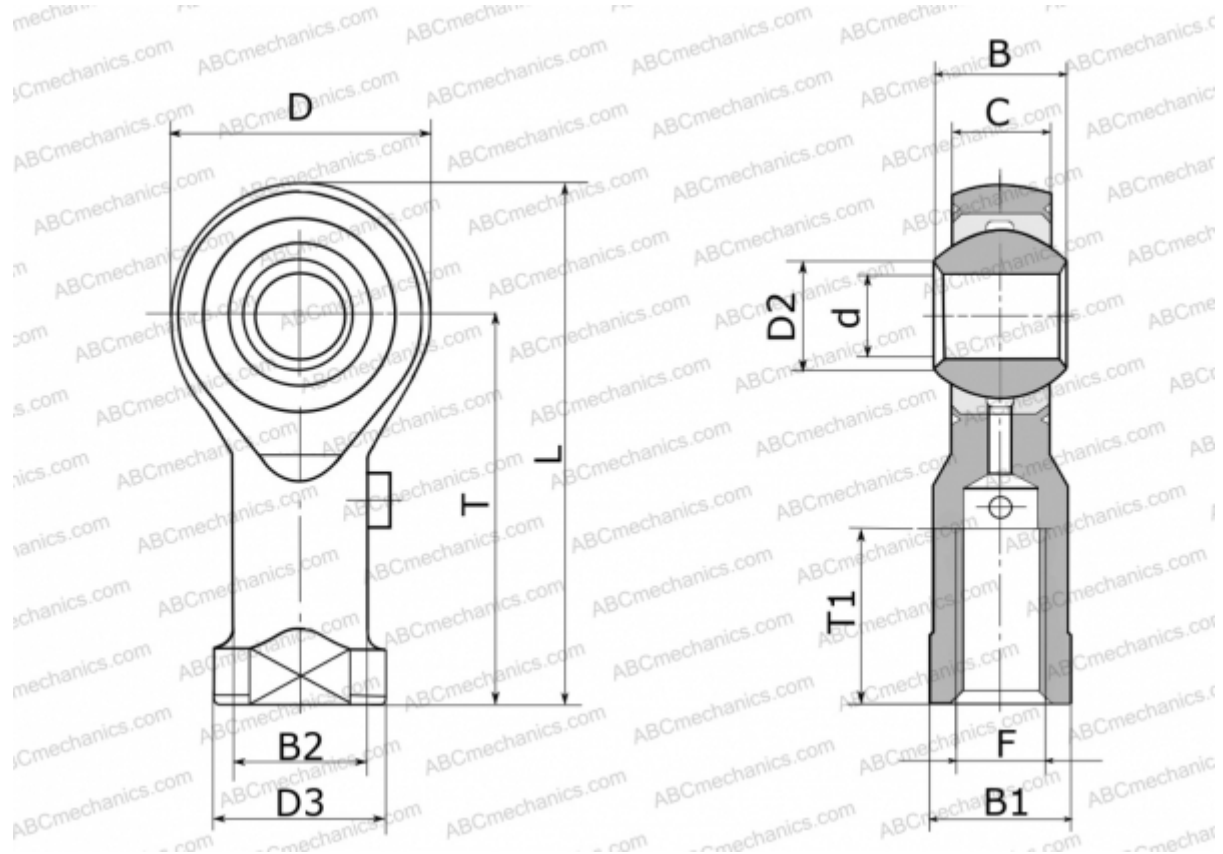


GILXS 12 FLURO

TYPE: Plain bearings, Spherical plain bearings and rod ends, Rod ends, Requiring maintenance, With internal thread, open design, left hand thread, series GILXS (FLURO)



Technical specification

DIMENSIONS, MM

| | |
|----|--------|
| d | 12,000 |
| D | 32,000 |
| D2 | 15,400 |
| D3 | 22,000 |
| B | 16,000 |
| B1 | 19,000 |
| B2 | 17,500 |
| L | 66,000 |
| T | 50,000 |
| T1 | 22,000 |
| C | 12,000 |
| F | M 12 |

MANUFACTURER

[FLURO](#)

WEIGHT, KG

0,115