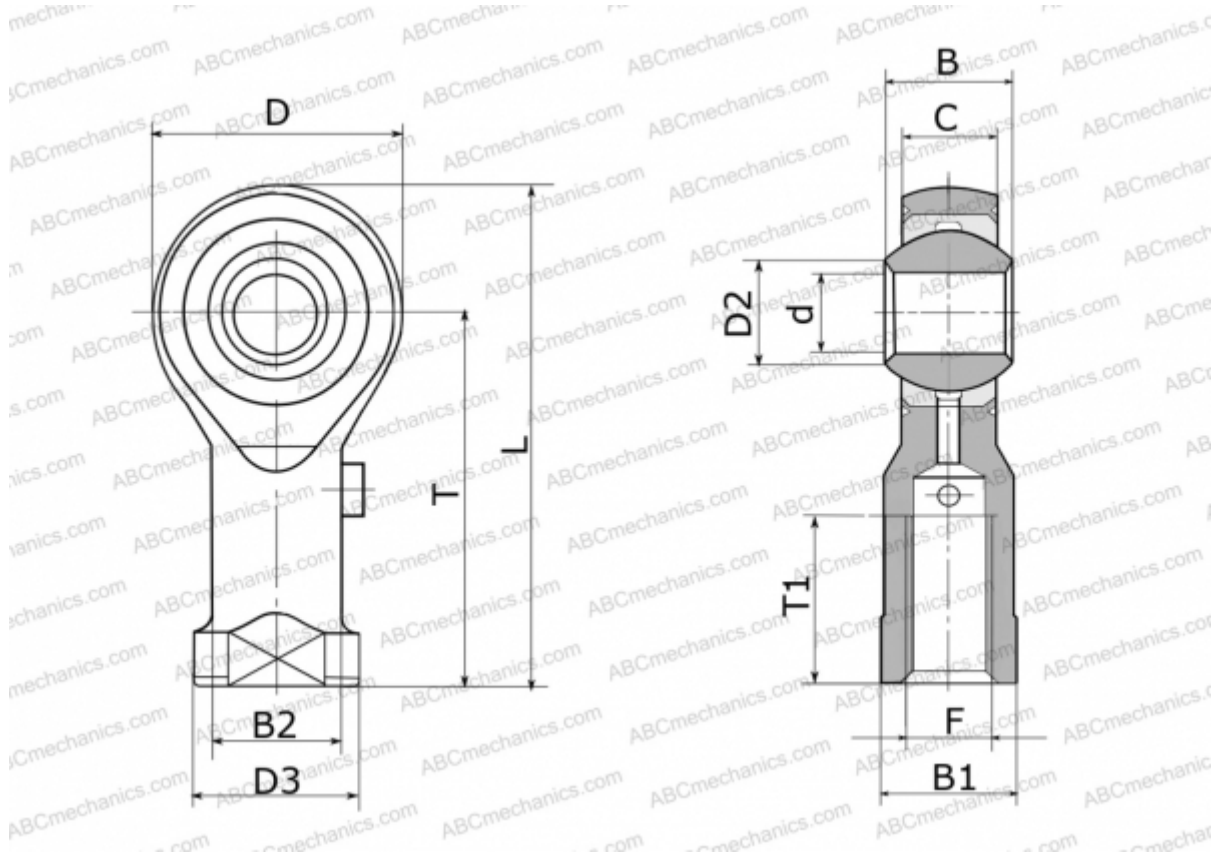


GILRS 8 FLURO

TYPE: Plain bearings, Spherical plain bearings and rod ends, Rod ends, Requiring maintenance, With internal thread, open design, left hand thread, stainless steel, series GILRS (FLURO)



Technical specification

DIMENSIONS, MM

| | |
|----|--------|
| d | 8,000 |
| D | 24,000 |
| D2 | 10,400 |
| D3 | 16,000 |
| B | 12,000 |
| B1 | 13,000 |
| B2 | 12,500 |
| L | 48,000 |
| T | 36,000 |
| T1 | 16,000 |
| C | 9,000 |
| F | M 8 |

MANUFACTURER

[FLURO](#)