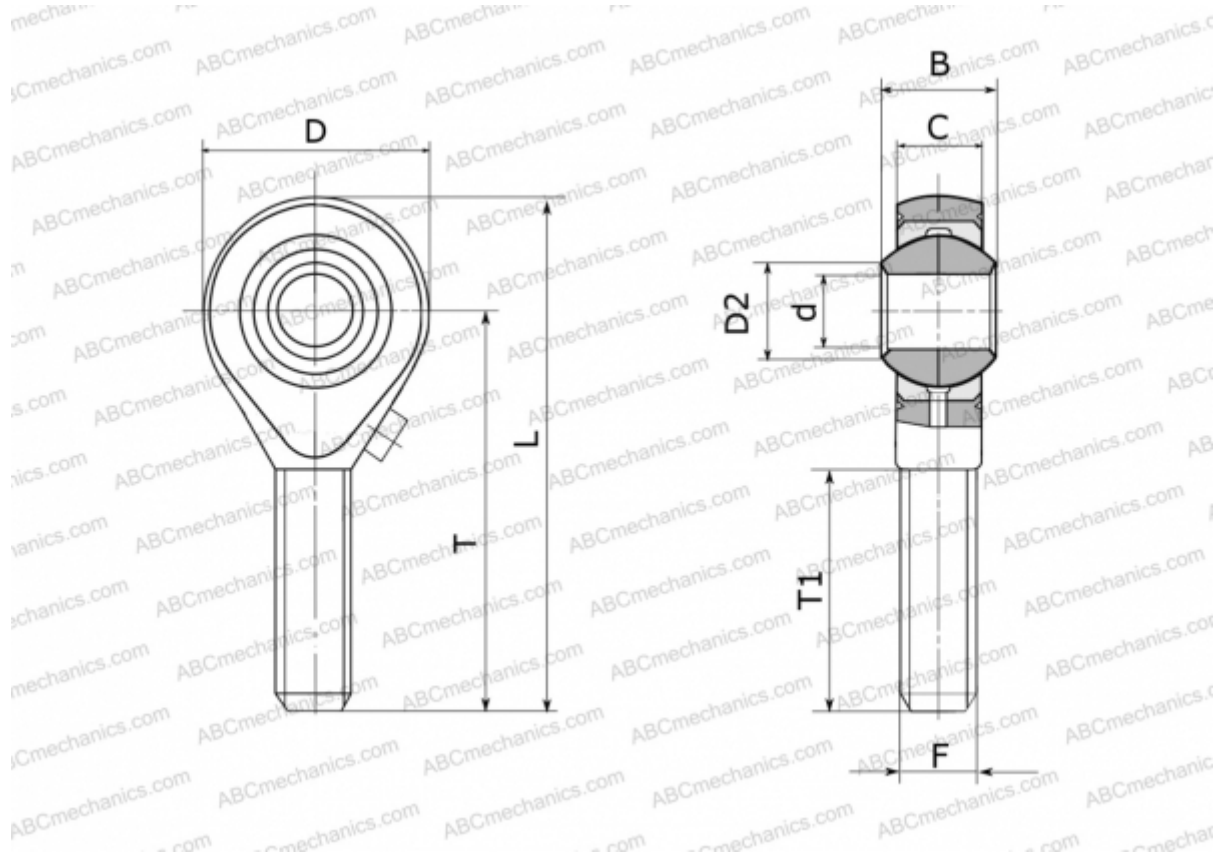


## GALRS 10 FLURO

TYPE: Plain bearings, Spherical plain bearings and rod ends, Rod ends, Requiring maintenance, With external thread, open design, left hand thread, stainless steel, series GALRS (FLURO)



### Technical specification

#### DIMENSIONS, MM

d	10,000
D	28,000
D2	12,900
B	14,000
L	62,000
T	48,000
T1	28,000
C	10,500
F	M 10

**WEIGHT, KG** 0,056

**MANUFACTURER** [FLURO](#)