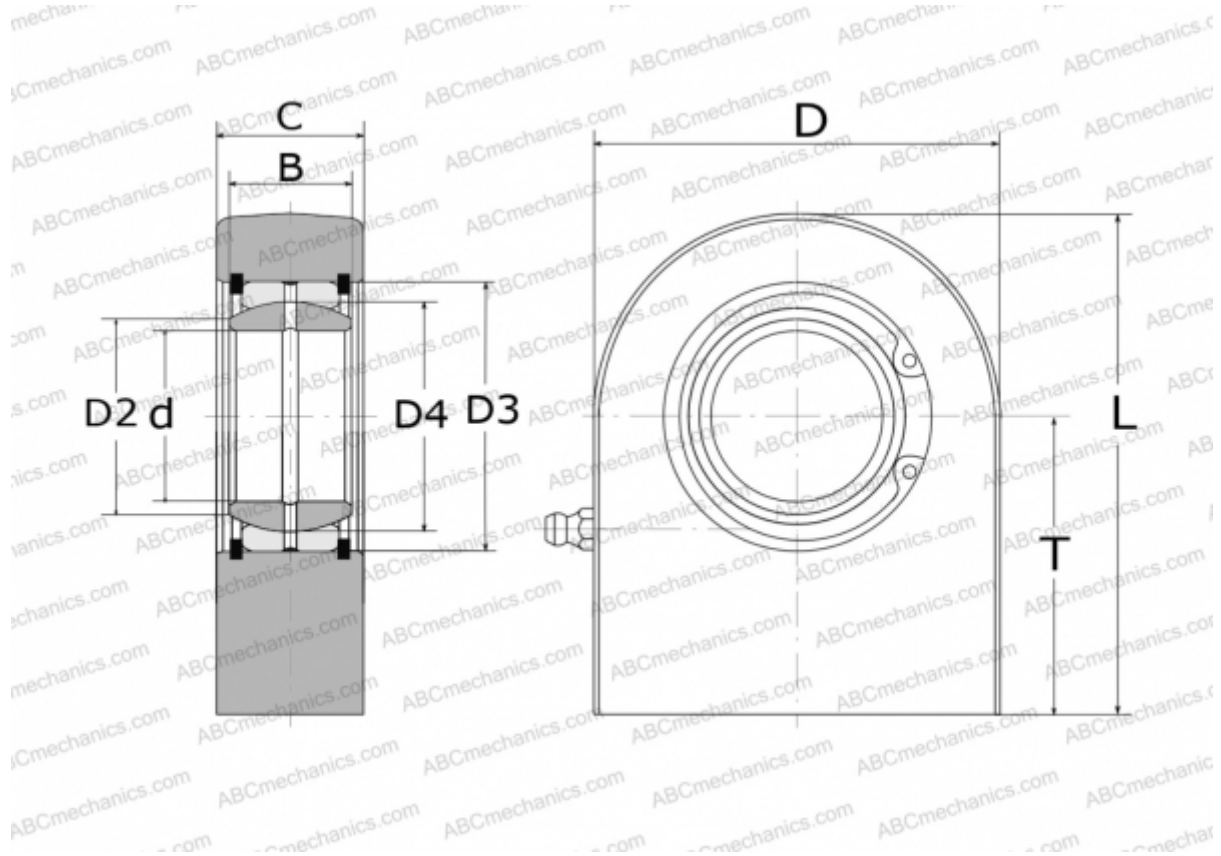


## GF60-DO ELGES

TYPE: Plain bearings, Spherical plain bearings and rod ends, Rod ends, Hydraulic, Requiring maintenance, with rectangular welding face, open design, series GF..-DO (INA)



### Technical specification

#### DIMENSIONS, MM

d	60,000
D	140,000
D2	66,800
D3	90,000
D4	80,000
B	44,000
L	170,000
T	100,000
C	50,000

**WEIGHT, KG** 7,100

**MANUFACTURER** [ELGES](#)