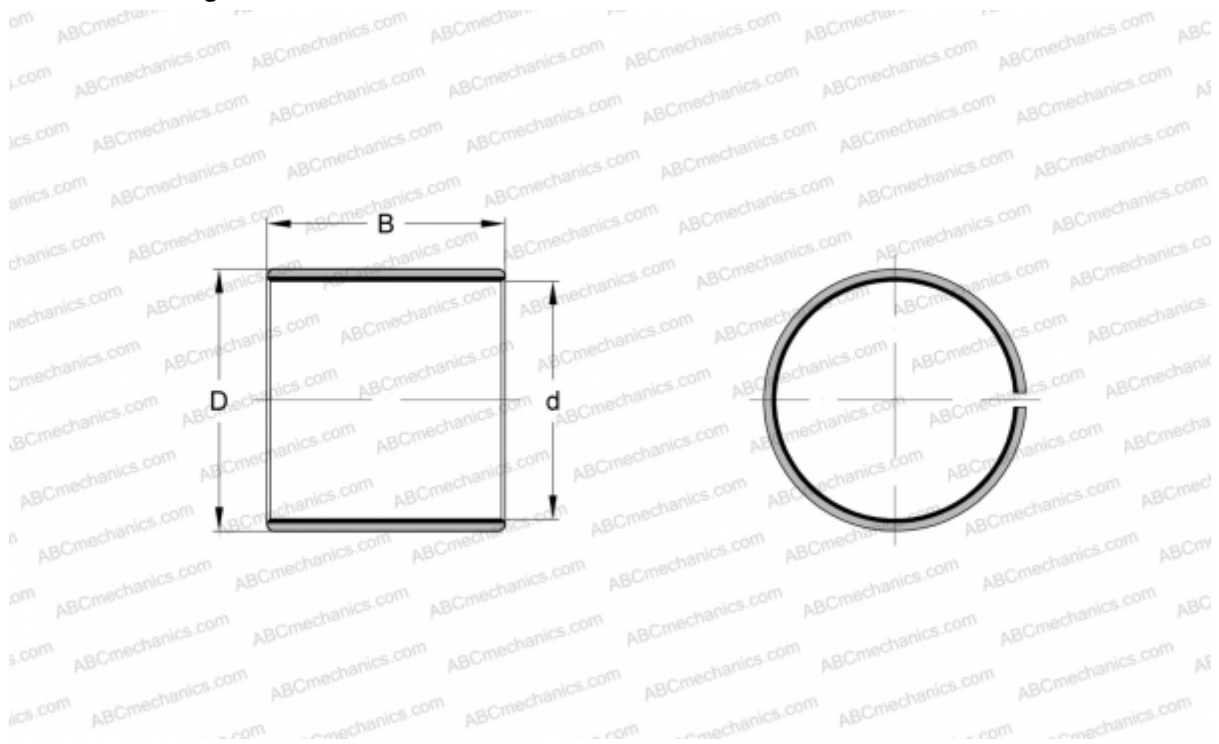


## EGB1410-E40 INA

Plain bushes

TYPE: Plain bearings, Bushings, thrust washers and strips, Bushings, Without flange, Maintenance-free, with steel backing (INA)



### Technical specification

#### DIMENSIONS, MM

d	14,000
D	16,000
B	10,000

**WEIGHT, KG** 0,003

**MANUFACTURER** [INA](#)

#### REPLACES

PAP1410-P14