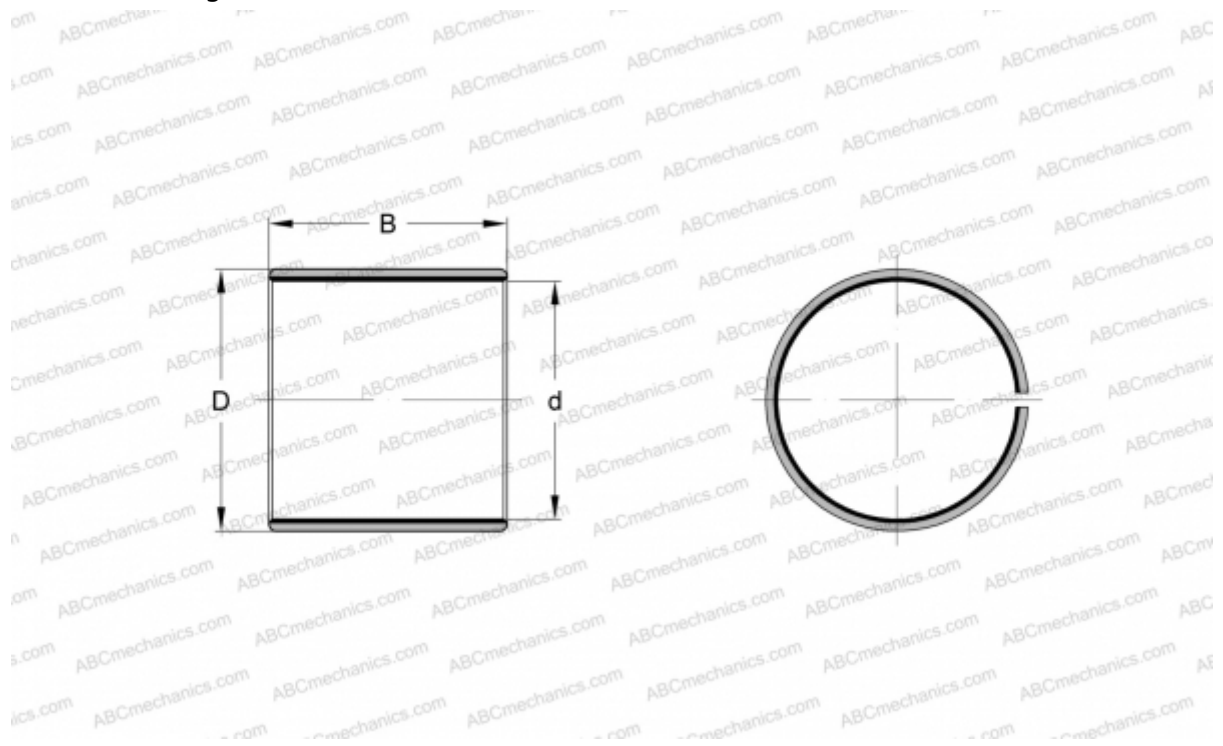


## EGB3550-E40 INA

Plain bushes

TYPE: Plain bearings, Bushings, thrust washers and strips, Bushings, Without flange, Maintenance-free, with steel backing (INA)



### Technical specification

#### DIMENSIONS, MM

|   |        |
|---|--------|
| d | 35,000 |
| D | 39,000 |
| B | 50,000 |

**WEIGHT, KG** 0,087

**MANUFACTURER** [INA](#)

#### REPLACES

PAP3550-P14