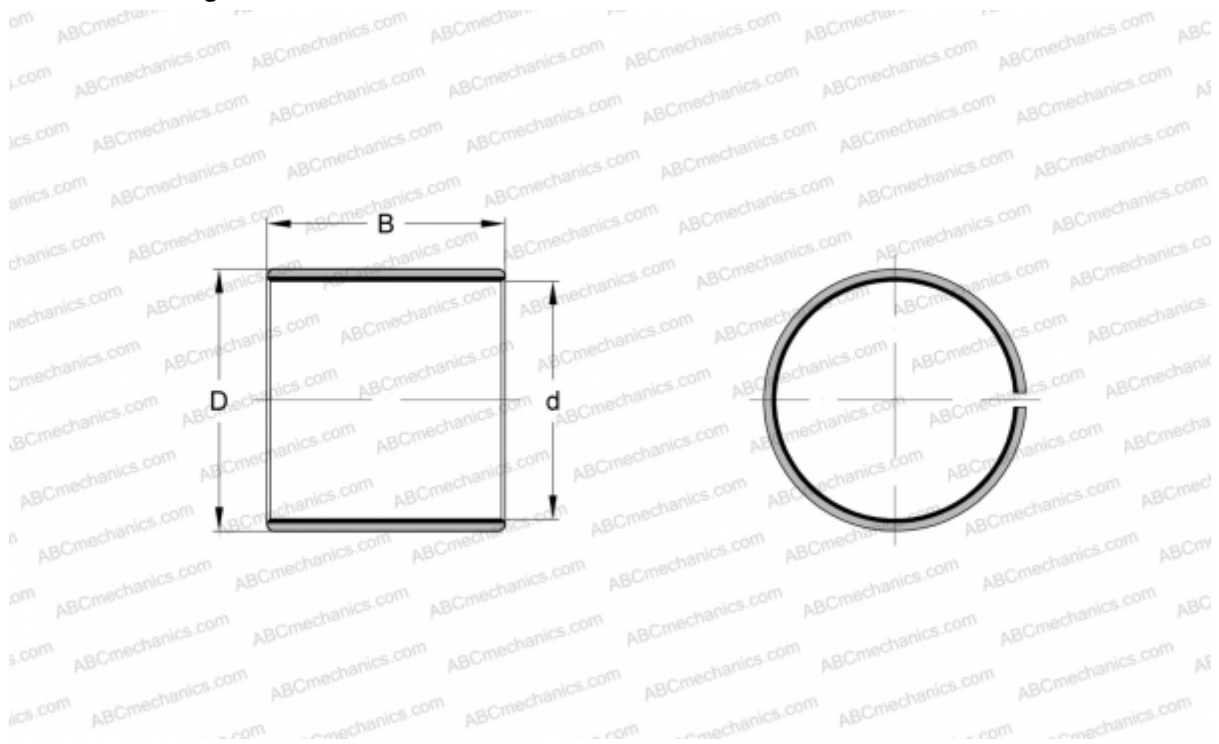


EGB11570-E40 INA

Plain bushes

TYPE: Plain bearings, Bushings, thrust washers and strips, Bushings, Without flange, Maintenance-free, with steel backing (INA)



Technical specification

DIMENSIONS, MM

d	115,000
D	120,000
B	70,000

WEIGHT, KG 0,487

MANUFACTURER [INA](#)

REPLACES

PAP11570-P14