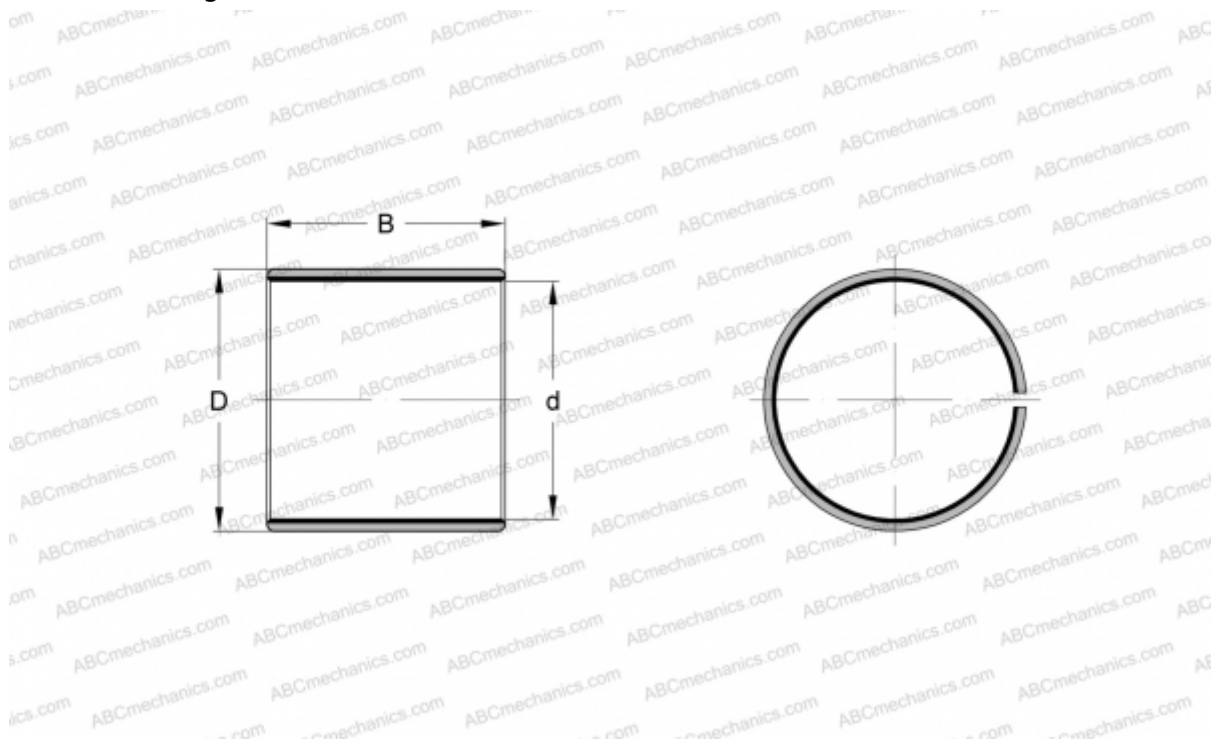


## EGBZ1008-E40 INA

Plain bushes

TYPE: Plain bearings, Bushings, thrust washers and strips, Bushings, Without flange, Maintenance-free, with steel backing, inch size (INA)



### Technical specification

#### DIMENSIONS, MM

d	15,875
D	18,258
B	12,700

**WEIGHT, KG** 0,007

**MANUFACTURER** [INA](#)

#### REPLACES

PAPZ1008-P14