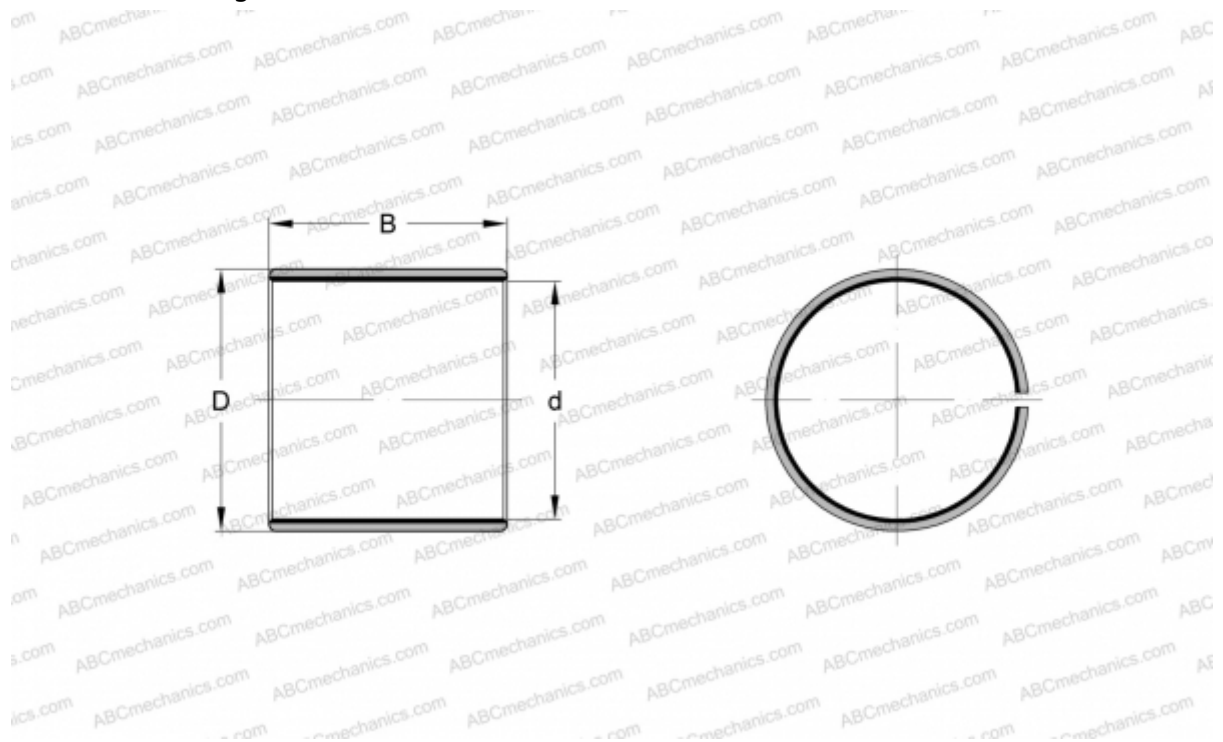


EGB1015-E40-B INA

Plain bushes

TYPE: Plain bearings, Bushings, thrust washers and strips, Bushings, Without flange, Maintenance-free, with bronze backing (INA)



Technical specification

DIMENSIONS, MM

d	10,000
D	12,000
B	15,000

MANUFACTURER [INA](#)

REPLACES

PAP1015-P11