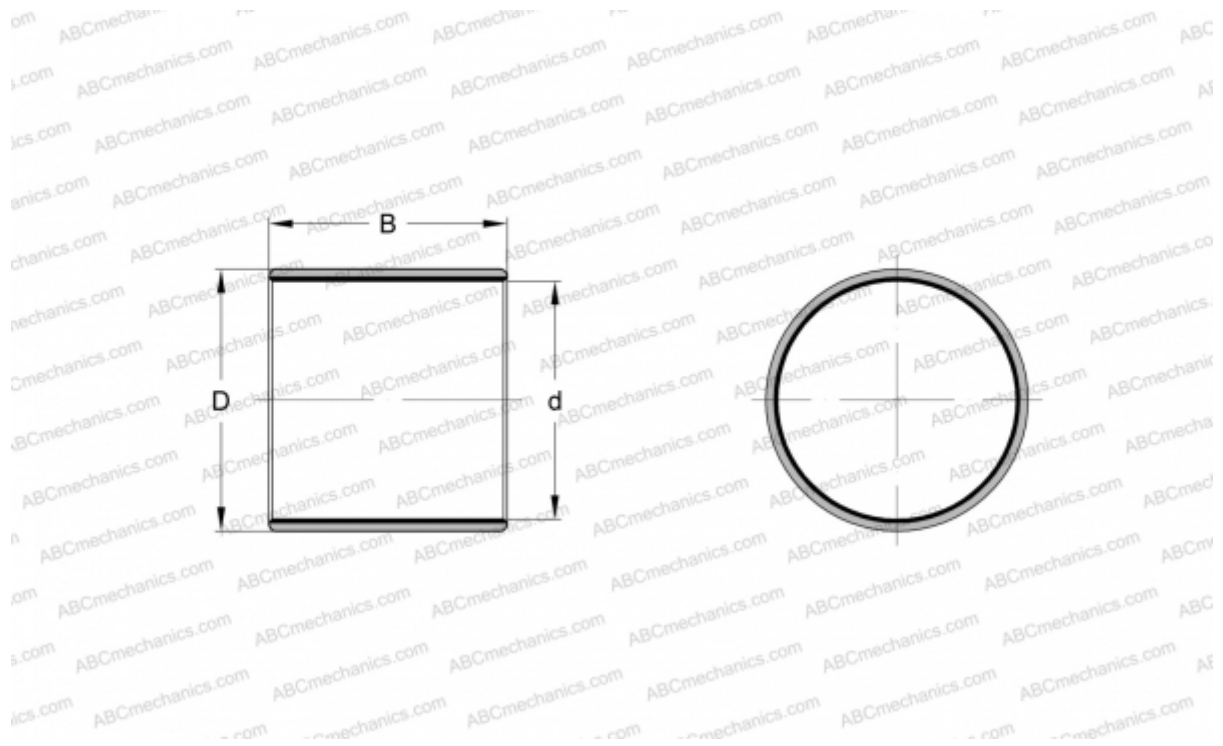


ZGB30X36X30 INA

Plain bushes

TYPE: Plain bearings, Bushings, thrust washers and strips, Bushings, Without flange, Cylindrical plain bushes, maintenance-free, to DIN ISO 4379 (INA)



Technical specification

DIMENSIONS, MM

d	30,000
D	36,000
B	30,000

WEIGHT, KG 0,063

MANUFACTURER [INA](#)