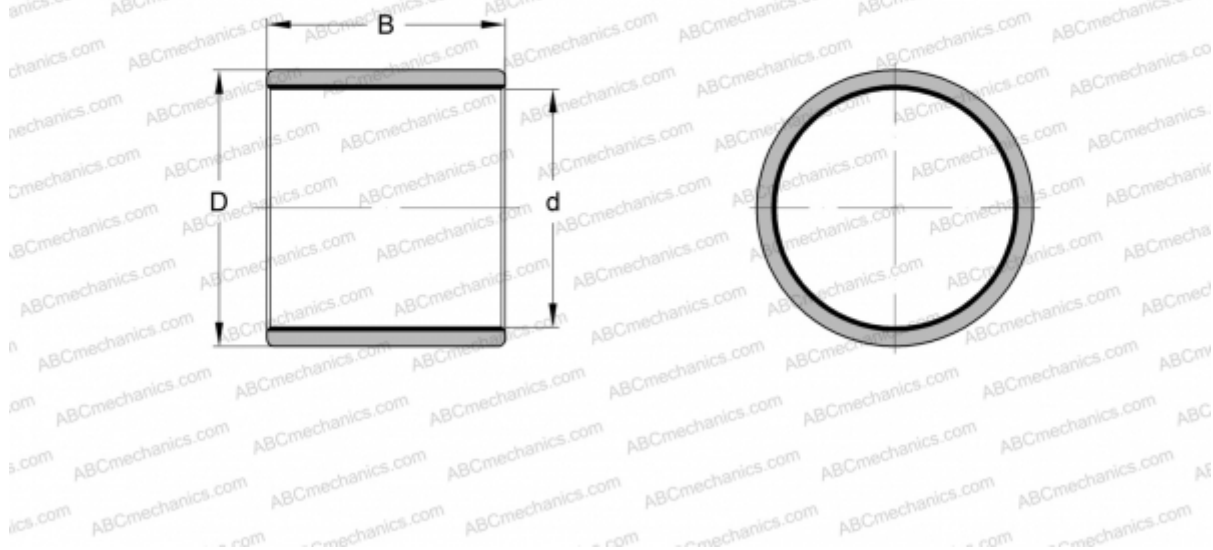


ZWB202415 INA

Plain bushes

TYPE: Plain bearings, Bushings, thrust washers and strips, Bushings, Without flange, Cylindrical plain bushes, wound, with ELGOTEX, maintenance-free, wear-resistant (INA)



Technical specification

DIMENSIONS, MM

| | |
|---|--------|
| d | 20,000 |
| D | 24,000 |
| B | 15,000 |

WEIGHT, KG 0,004

MANUFACTURER [INA](#)